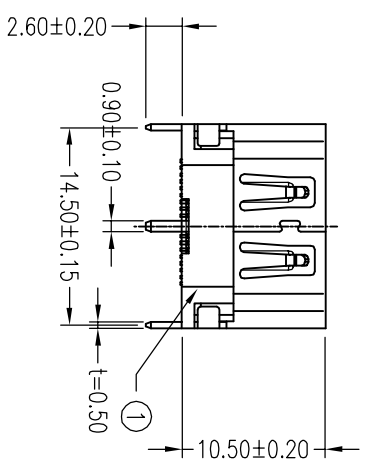
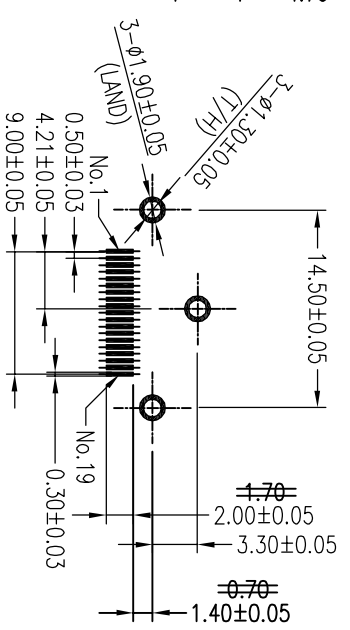
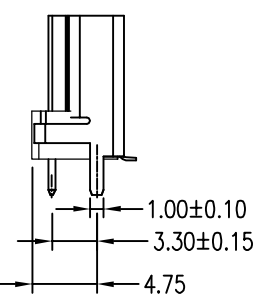
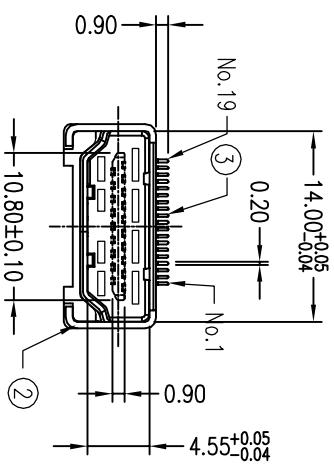


PART NO.  
J84139-A28-PBS1960-A-I

1. Contact Plating

G:Au:G/F  
B:Au:3U  
C:Au:5U  
D:Au:15u  
E:Au:20u  
F:Au:30u

2. FILM  
A: WITH FILM  
O: WITHOUT FILM  
3. Packing  
R: TAPE REEL PACKING  
T: TRAY PACKING



ITEM	DESC	MATERIAL	REMARKS
3	TERMINAL	COPPER ALLOY(±0.20)	CONTACT AREA:acid Fresh SOLDER AREA: Tin 1um UNDER-PLATING: 1.25um LIQUID SEALING
2	SHELL	COPPER ALLOY(±0.50)	OVER-PLATING: 1um
1	HOUSING	HIGH TEMPERATURE THERMOPLASTICS	30%G.F., J194V-0

**JJP** Jen Jia Precision Co., LTD.

TITLE	HDMI A/F/VERTICAL/SMT		
INTENDED USE	CUSTOMER	PART NO.	J84139-A28-PBS1960-A-I
TOLERANCES	DRAW NO.	J84139-A28-PBS1960-A-I	CHKD Steve
	MATERIAL	SEE NOTE	DRAW Tina
	FINISH	SEE NOTE	DATE 08-08-04
	SCALE	1:1	REV A
	SHEET	1/1	UNIN mm

DIM. ±0.30  
ANGLE: 3°

