

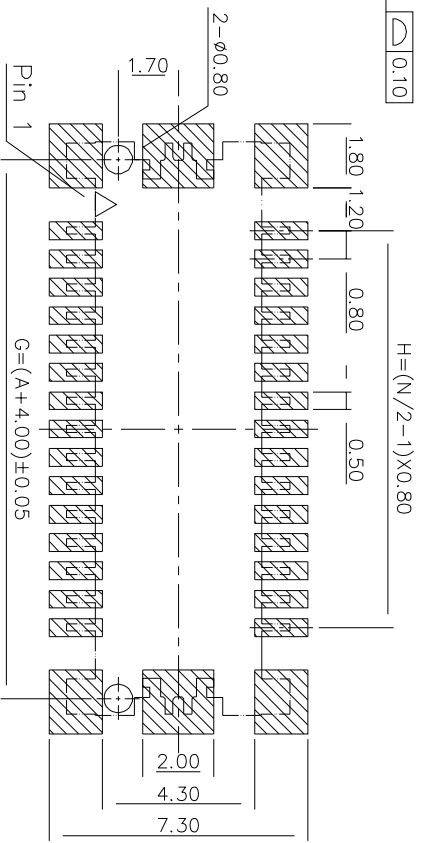
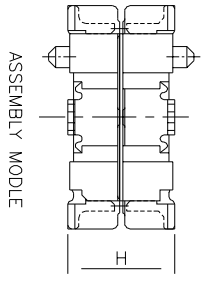
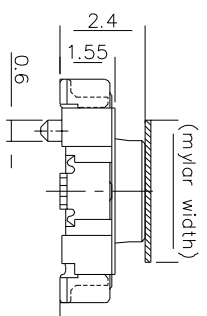
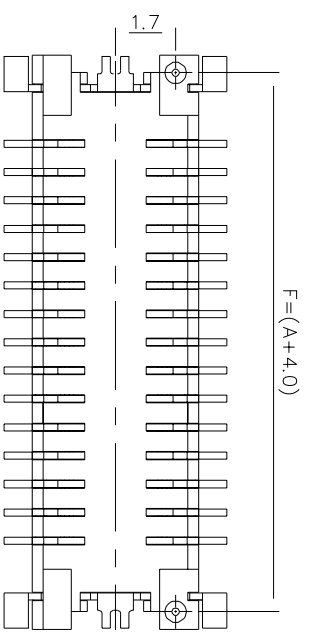
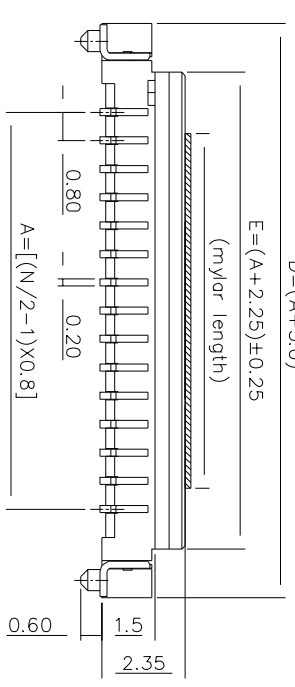
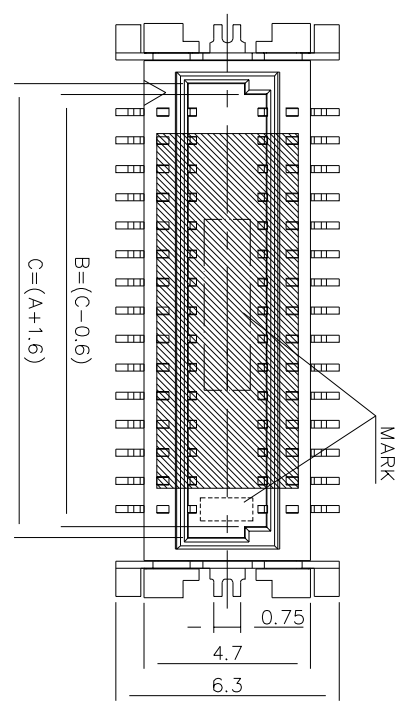
ORDERING INFORMATION

SERIES NO. PRODUCTS HIGH PIN NO. CONTACT PLATING WE PLATING ATTACHMENT PACKING TYPE MYLAR OR CAP

- J0201-35 1 XX XX XX 1 XX X
- 1:H=2.4mm
- 12 20:DULL PURE TIN 20:DULL PURE TIN 0.1W/0 PEG
- 24 30:BRIGHT PURE TIN 30:BRIGHT PURE TIN 1:WITH PEG
- 30 61:GOLD FLASH 1μ"
- 40 63:GOLD FLASH 4μ"
- 65:GOLD FLASH 10μ"
- 21:TAP&REEL (24mmB2 WITH LEFT PEG)
- 22:TAP&REEL (32mmB2)
- 25:TAP&REEL (24mmB2 WITH RIGHT PEG)
- N.W/O MYLAR OR CAP
- 1:WITH MYLAR
- 5:OX3.5(2.40H SPECIAL)
- PIN MAX:24
- 5:WITH MYLAR
- 10:OX4.0(2.40H SPECIAL)
- PIN MIN:26

MATERIAL

INSULATOR: GLASS FILLED THERMO-PLASTIC. UL 94V-0
 CONTACT: JIS C5191 R-H
 THIS PART DON'T CONTAIN ANY SUBSTANCES WHICH ARE SPECIFIED IN SS-00259
 SPECIFICATION
 CURRENT RATING: 0.5A 50V AC/DC
 CONTACT RESISTANCE: 40 mΩ MAX
 INSULATION RESISTANCE: 500MΩ MIN AT 500V DC
 OPERATING TEMPERATURE RANGE: -20°C TO +85°C



PRODUCT ASSEMBLY HIGH	PINUG PART NO.	CAP PART NO.
H=3.0mm	J0201-735-P1	J0201-735-C1
H=3.5mm	J0201-735-P1	J0201-735-C4
H=4.4mm	J0201-735-P1	J0201-735-C3
H=5.0mm	J0201-735-P1	J0201-735-C2
H=5.5mm	J0201-735-P1	J0201-735-CC
H=7.0mm	J0201-735-P1	J0201-735-C5
H=11.0mm	J0201-735-PF	J0201-735-C6
H=15.0mm	J0201-735-PF	J0201-735-CE

DIM	A	B	C	D	E	F
12	4.0	4.9	6.3	9.0	5.5	8.0
20	7.2	8.1	9.5	12.2	8.7	11.2
24	8.8	9.7	11.1	13.8	10.3	12.8
30	11.2	12.1	13.5	16.2	12.7	15.2
40	15.2	16.1	17.5	20.2	16.7	19.2

INTENDED USE
 CUSTOMER TOLERANCES

JJP Jen Jia Precision Co., LTD.
 CAP ASSEMBLY (MATING HEIGHT 2.40mm WITH BOSS) 0.8mm PITCH BTB CONN.

TITLE	PART NO.	APPRO	MARK
INTENDED USE	J0201-35-1XXXXX1XXX	APPRO	MARK
CUSTOMER TOLERANCES	J0201-35-1XXXXX1XXX	CHKD	Steve
0.0 ±0.30	SEE NOTE	DRAW	Tina
0.00±0.20	SEE NOTE	DATE	08/06/09'
ANGLES ±3°	SCALE	REV	UNIN
	1:1	A	mm