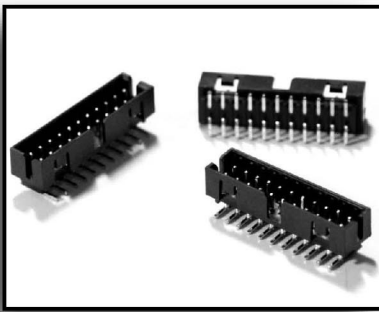
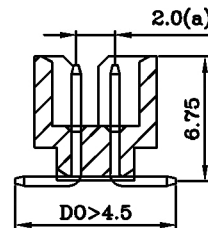
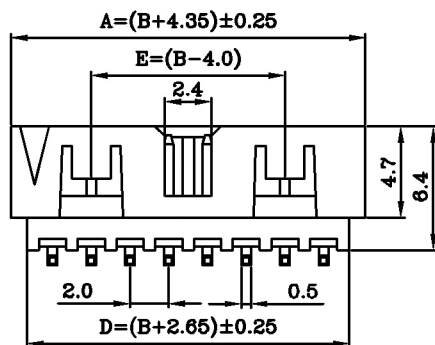
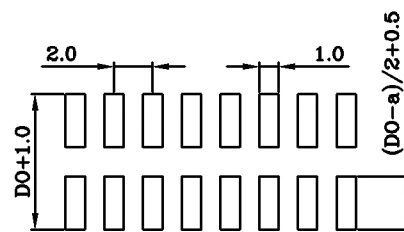
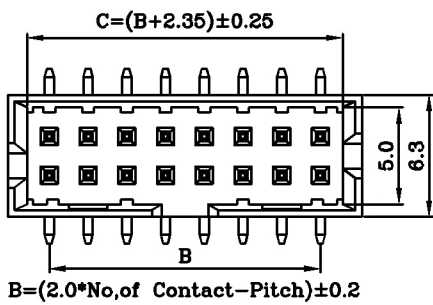


2.0x2.0mm(0.079"x0.079") Shrouded Header,
SMT Dual Row 16 to 50 Contacts

● SPECIFICATIONS ●



Current Rating:	2.0A@80°C ambient
Operating Temp Range:	-40°C to +125°C
Insulator Material:	NYLON-6T(UL94V-0)
Contact Material:	Brass
Max Processing Temp:	260°C for 10 seconds
Plating:	Standard Plating G1
Unit:	mm
Unspecified Tolerance:	±0.2



The length of pin for contact side and PCB side can be optional, based upon customer's demands
How to order Please fill in "X" with appropriate codes listed in the tables below.

