

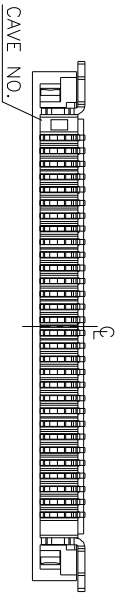
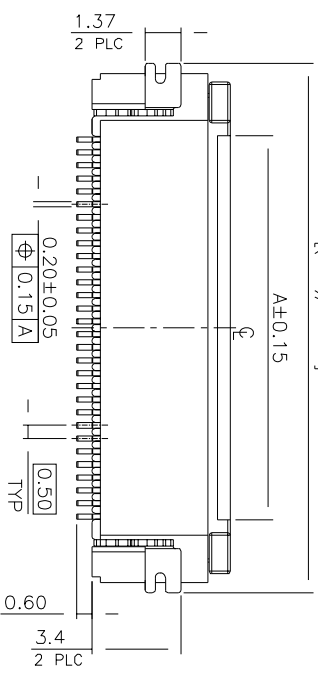
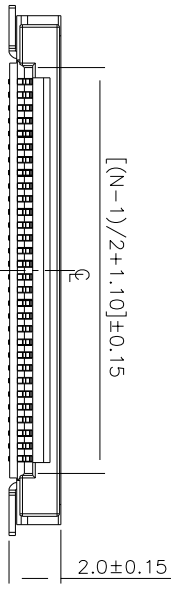
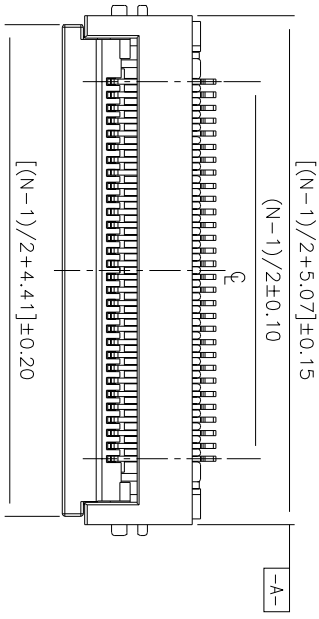
ORDERING INFORMATION

SERIES NO.	CONN. TYPE	NO. OF CONTACTS	TERMINAL PLATING	ASSIST METAL PLATING	ASSIST METAL	PACKING	W/AV
J0616-06	2	XX	XX	XX	2	XX	X

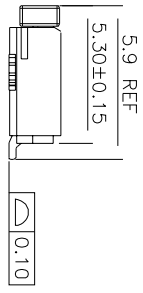
- 25/A BOTTOM CONTACT
- 04-60PIN
- 00NO PLATING
20:W/TE - TIN 120~150μ²
OVER N: 50~100μ²
- 71:CONTACT AREA AND SOLDER AREA: N: 50~100μ²
SELECTION GOLD 14μm OVER
N: 50~100μ²
- 72:CONTACT AREA AND SOLDER AREA: N: 50~100μ²
SELECTION GOLD 34μm OVER
N: 50~100μ²
- 73:CONTACT AREA AND SOLDER AREA: N: 50~100μ²
SELECTION GOLD 44μm OVER
N: 50~100μ²
- 65:GOLD FLASH 10μm OVER N: 50~100μ²
- 62:GOLD FLASH 5μ² OVER
N: 50~100μ²
- 61:GOLD FLASH 1μ² OVER
N: 50~100μ²
- 60:GOLD FLASH 0.5μ² OVER
N: 50~100μ²
- 20: W/TE - TIN 120~150μ²
OVER N: 50~100μ²
- 30: BRGHT PURE TIN 120~150μ²
OVER N: 50~100μ²

- 81:PART&REEL(16mmB4) NEW PACKING
- 71:PART&REEL(24mmB4) NEW PACKING
- 72:PART&REEL(32mmB4) NEW PACKING
- 73:PART&REEL(44mmB4) NEW PACKING
- 74:PART&REEL(56mmB4) NEW PACKING

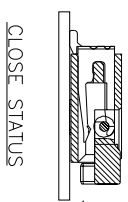
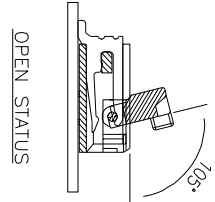
N: NO W/AV
1: WITH W/AV (5.0X3.5)



MATERIAL
(THIS PART DONT CONTAIN ANY SUBSTANCES WHICH ARE SPECIFIED IN SS-00259)
INSULATOR:GLASS FILLED THERMO-PLASTIC. UL 94V-0
METAL: EAR PLATING:
NON-GP: SN/PB
GP-PURE TIN OR SN/CU OR GOLD FLASH
SPECIFICATION
CURRENT RATING:0.5A 50V AC/DC
CONTACT RESISTANCE: 40 mΩ MAX AT DC 20mA
INSULATION RESISTANCE: 100 MΩ MIN AT 500V DC
OPERATING TEMPERATURE RANGE:-25°C TO +85°C

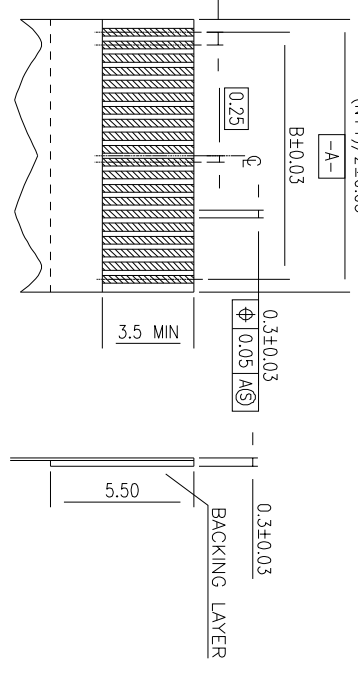


ALL CONTACTS AND SOLDER PEGS



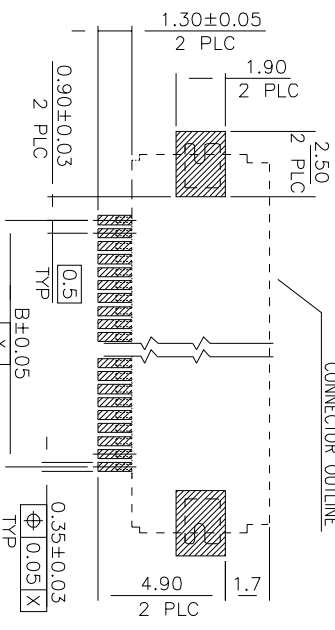
FLEXIBLE CABLE

FLEXIBLE CABLE



RECOMMENDED FFC/FPC LAYOUT

CONNECTOR OUTLINE



TOLERANCE: ±0.08
RECOMMENDED P.C.B. LAYOUT
TOP VIEW

DIM A	4~30 PIN	31~60PIN
	(N-1)/2+0.28	7.0

JJP Jen Jia Precision Co., LTD.

INTENDED USE	FPC 0.5MM PITCH R/A		
CUSTOMER	BOTTOM CONTACT SLIDE TYPE CONN.		
TOLERANCES	PART NO.	APPRO	MARK
0.0 ±0.30 0.00±0.20 ANGLES ±3°	J0616-06-2XXXXXX	CHKD	Steve
	DRAW NO.	DATE	Ting
	MATERIAL	REV	UNIN
	FINISH	SCALE	SHEET
	SEE NOTE	1/1	A
	SEE NOTE	REV	mm
	DATE	08/05/09	