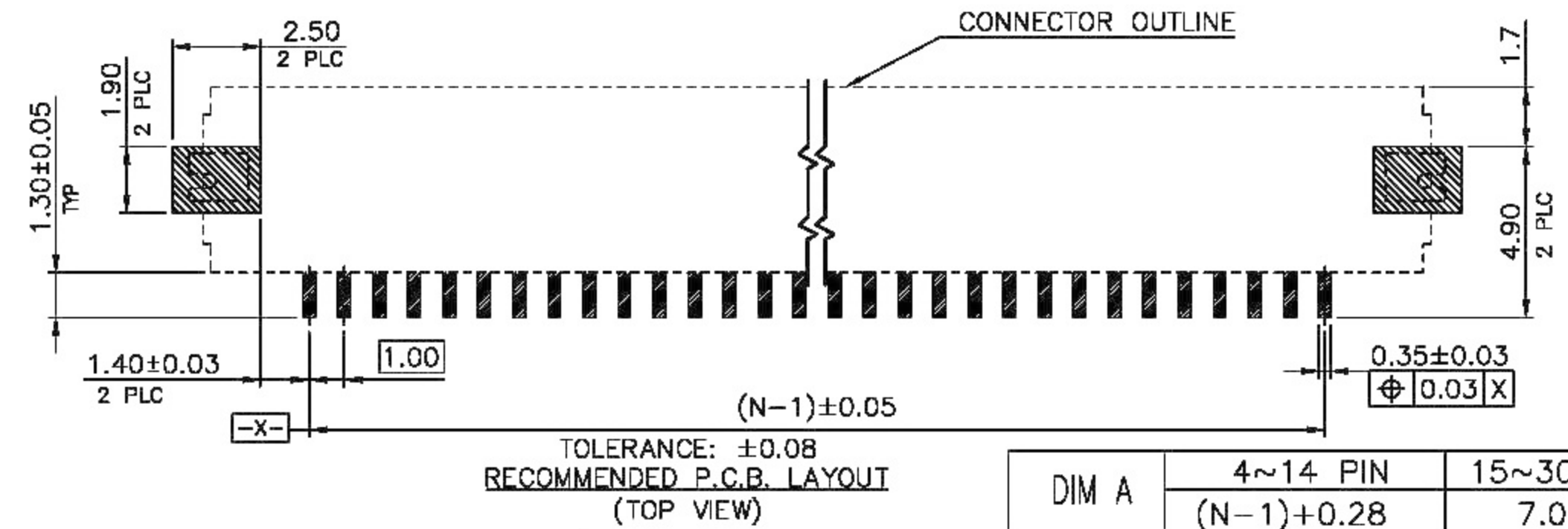
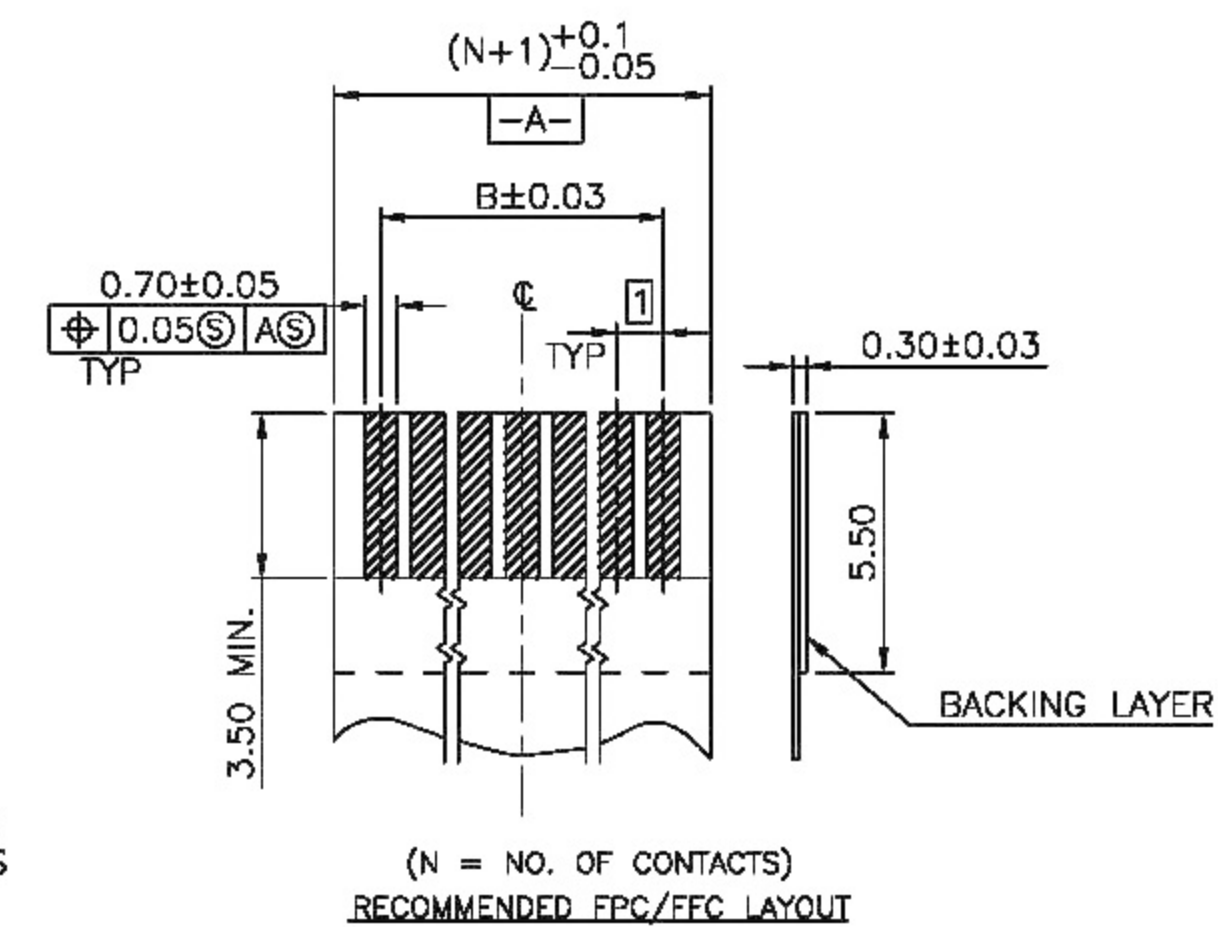
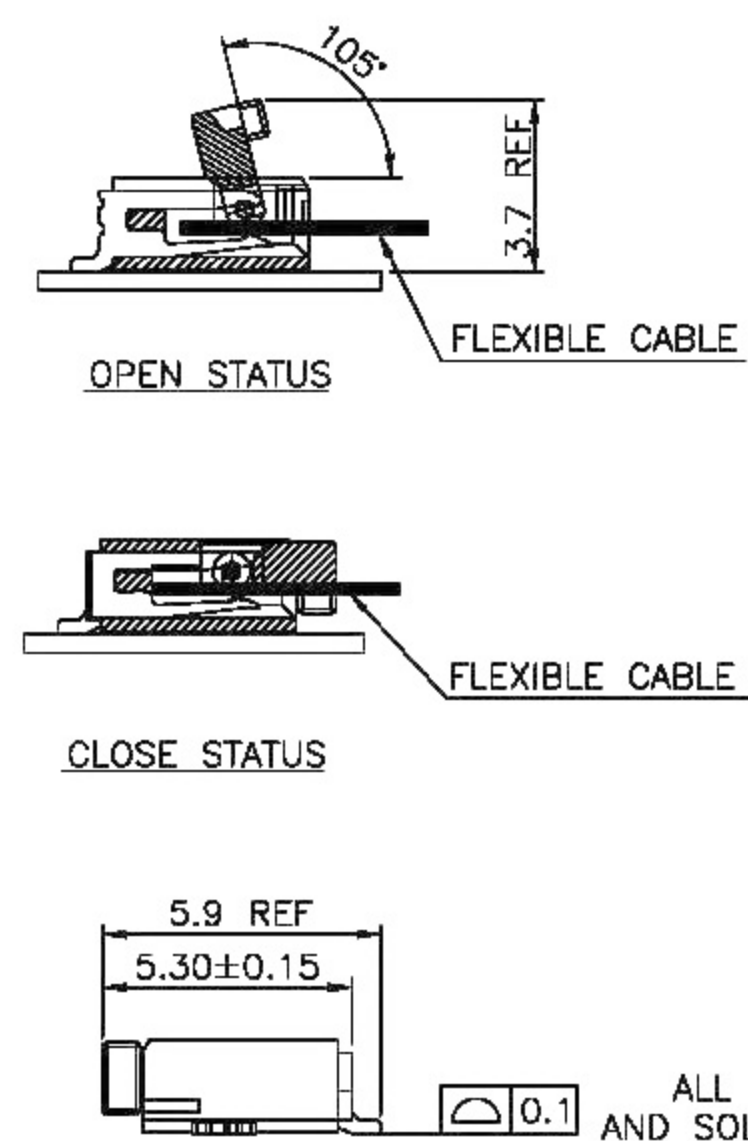
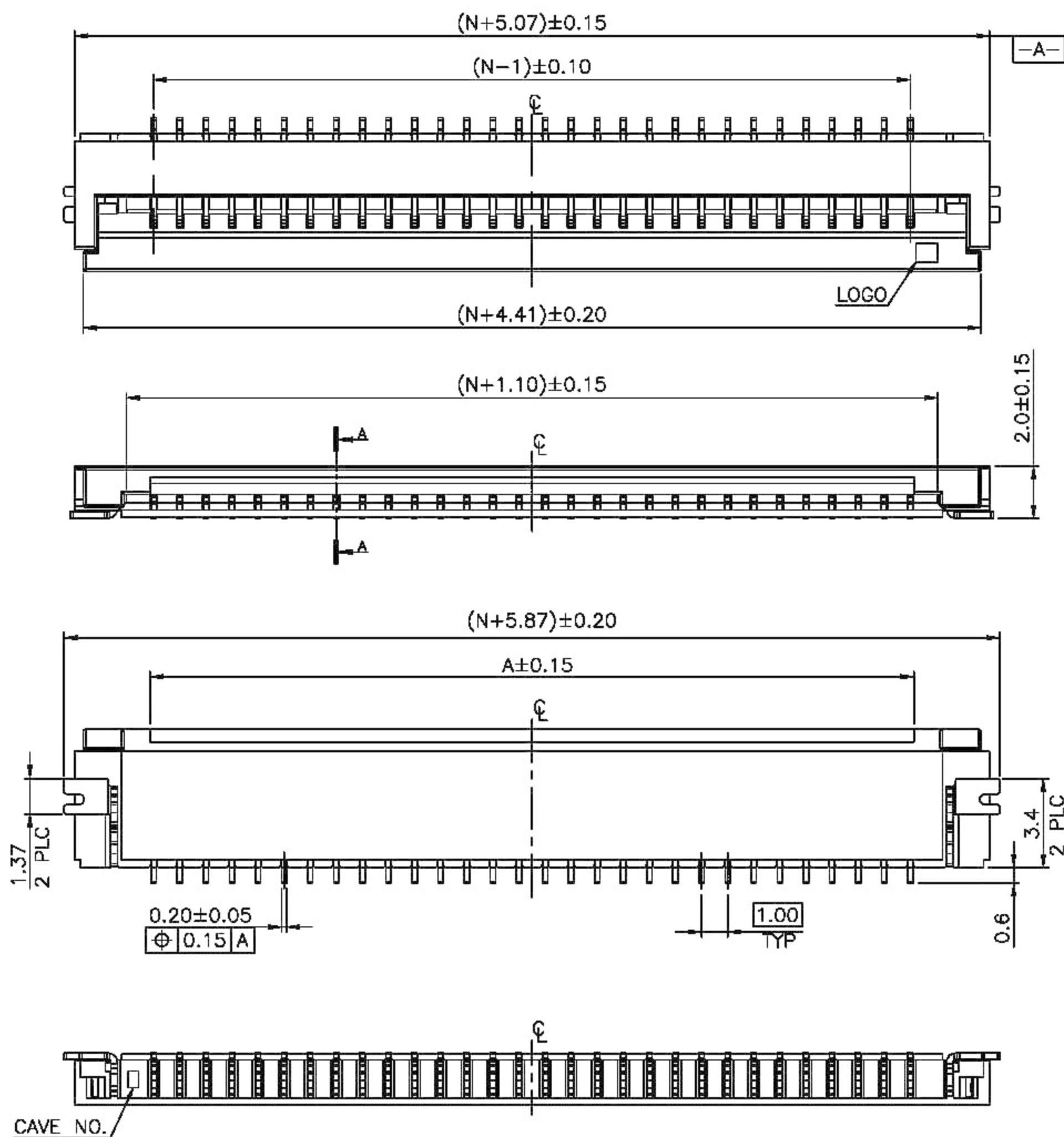


ORDERING INFORMATION

SERIES NO.	CONN. TYPE	NO. OF CONTACTS	TERMINAL PLATING	ASSIST METAL PLATING	ASSIST METAL
J0616	2:R/A BOTTOM CONTACT	XX	XX	XX	2
		04~30PIN	00:NO PLATING 20:MATTE-TIN 120~150μ OVER NI 50~100μ 71:CONTACT AREA AND SOLDER AREA:NI 50~100μ SELECTION GOLD 1 *min OVER 72:CONTACT AREA AND SOLDER AREA:NI 50~100μ SELECTION GOLD 3 *min OVER 73:CONTACT AREA AND SOLDER AREA:NI 50~100μ SELECTION GOLD 4 *min OVER	20: MATTE -TIN 120~150μ OVER NI 50~100μ 30: BRIGHT PURE TIN 120~150μ OVER NI 50~100μ 61:GOLD FLASH 1μ OVER NI 50~100μ 62:GOLD FLASH 3μ OVER NI 50~100μ 63:GOLD FLASH 4μ OVER NI 50~100μ 65:GOLD FLASH 10μ min OVER NI 50~100μ	0: NONE ME TYPE 1: ME TYPE 1 2: ME TYPE 2

PACKING	MARK	MYLAR	REMARKS	MATERIAL
XX	X	X	0	(THIS PART DON'T CONTAIN ANY SUBSTANCES WHICH ARE SPECIFIED IN SS-00259) INSULATOR:GLASS FILLED THERMO-PLASTIC. UL 94V-0 CONTACT:PHOSPHOR BRONZE METAL EAR PLATING: NON-GP: SN/PB GP:PURE TIN OR SN/CU OR GOLD FLASH SPECIFICATION CURRENT RATING:0.5A 50V AC/DC CONTACT RESISTANCE:40 mΩ MAX AT DC 20mA INSULATION RESISTANCE:100 MΩ MIN AT 500V DC OPERATING TEMPERATURE RANGE:-25°C TO +85°C
41:TAPE&REEL(24mmB4) 42:TAPE&REEL(32mmB4) 43:TAPE&REEL(44mmB4) 44:TAPE&REEL(56mmB4)	0: NO MARK 2: AP MARK	N: NO MYLAR 1: WITH MYLAR (5.0X3.5)	0: NO REMARKS	



CAVE NO.

JJP Jen Jia Precision Co., LTD.

INTENDED USE	FPC 1.0MM PITCH R/A BOTTOM CONTACT SLIDE TYPE CONN.			
CUSTOMER	TITLE			
TOLERANCES	PART NO.	SEE NOTE	APPRO	Mark
LINEAR 0.0 ± 0.10 0.00 ± 0.05 ANGLES $\pm 3^\circ$	DRAW NO.	J0616-2XXXXXX2XXXX0	CHKD	Steve
	MATERIAL	SEE NOTE	DRAW	Tina
	FINISH	SEE NOTE	DATE	08/12/09'
SCALE	SHEET	REV	UNIN	
1:1	1/1	A	mm	