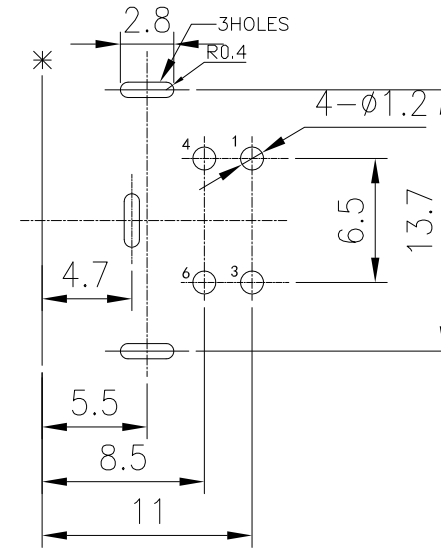
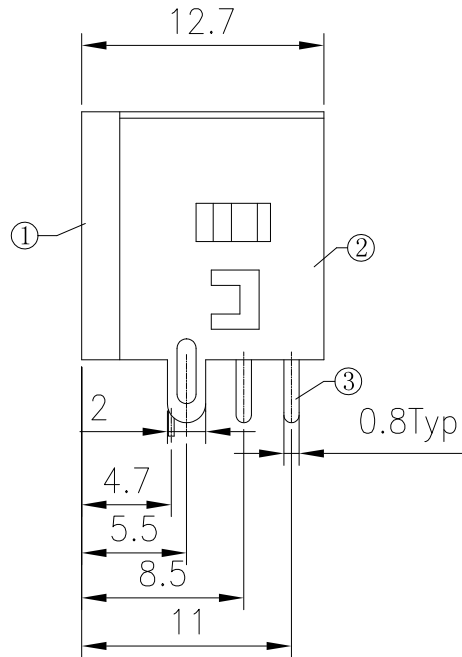
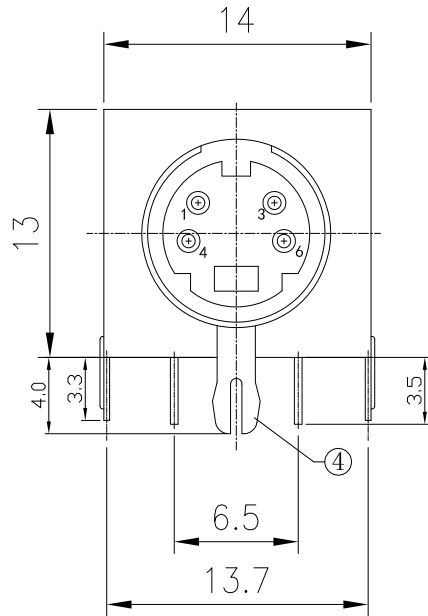


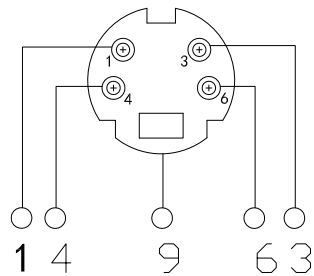
THE INFORMATION CONTAINED IN THIS DOCUMENT IS PROPRIETARY TO JEN JIA PRECISION TECHNOLOGY CO.LTD. ANY REPRODUCTION IN PART OR WHOLE WITHOUT PRIOR WRITTEN APPROVAL OR AUTHORIZATION OF JEN JIA PRECISION TECHNOLOGY CO.LTD IS STRICTLY PROHIBITED.

RoHS COMPLIANT

REVISIONS				
REV	ECN NO.	DESCRIPTION	APPROVED BY	DATE
1		PROPOSAL DRAWING	Helly Luo	2013-05-19



T:1.6 Dimensions of PC board holes
Tolerance : ±0.05(Printed-Top view)



SCHEMATIC DIAGRAM

UNLESS OTHERWISE SPECIFIED, TOLERANCE ON DECIMAL: ±0.3

4	CONTACT FOOT	1	C2680	t=0.4	Cu/Sn	PLATED
3	CONTACT FOOT	4	C5191	t=0.4	Ag	PLATED
2	COAT	1	SPCC	t=0.5	Cu/Sn	PLATED
1	HOUSING	1	PBT 4815		UL-94V0	(BLACK)
LTR	PART NAME	QTY	MATERIAL		REMARK	

DIMENSIONS:

MM [INCH] INCH [MM] MM ONLY

UNLESS OTHERWISE SPECIFIED,
GENERAL TOLERANCE:
DECIMALS

ANGLES
X° ±3°
.X° ±1.0°

CAD GENERATED DRAWING,
DO NOT MANUALLY UPDATE

THIRD ANGLE PROJECTION



JJP Jen Jia Precision Technology Co., Ltd.

TITLE			
POWER JACK QUICK LOCK			
PART NO.	J13410-09030-4	APPROVED BY	JASON MENG
DRAWING NO.	J13410-09030-4	CHECKED BY	STEVEN LIU
MATERIAL		DRAWN BY	Helly Luo
FINISH		GENERATD DATE	2013-05-19
SCALE	FREE	SHEET	1/1
REV.	A	SIZE:	A4
FILE NO.:		JJP-A-15-003	

DO NOT SCALE DRAWING