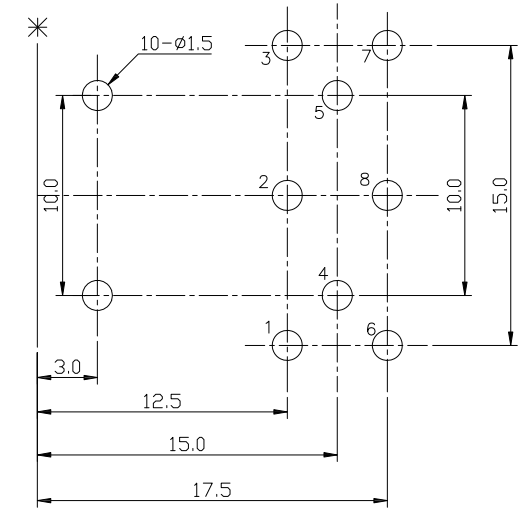
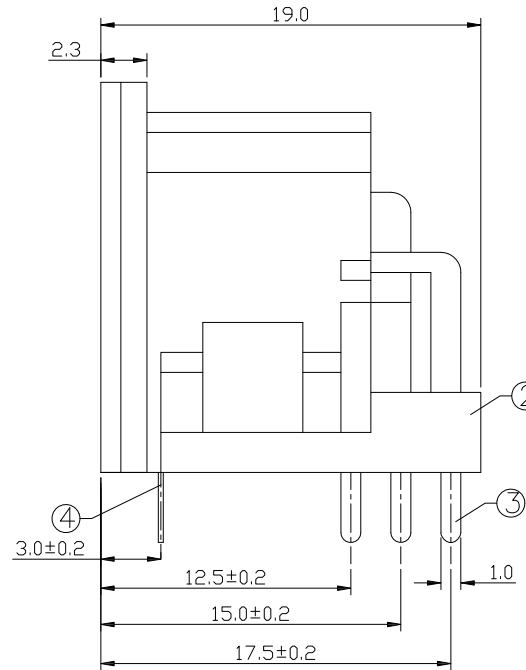
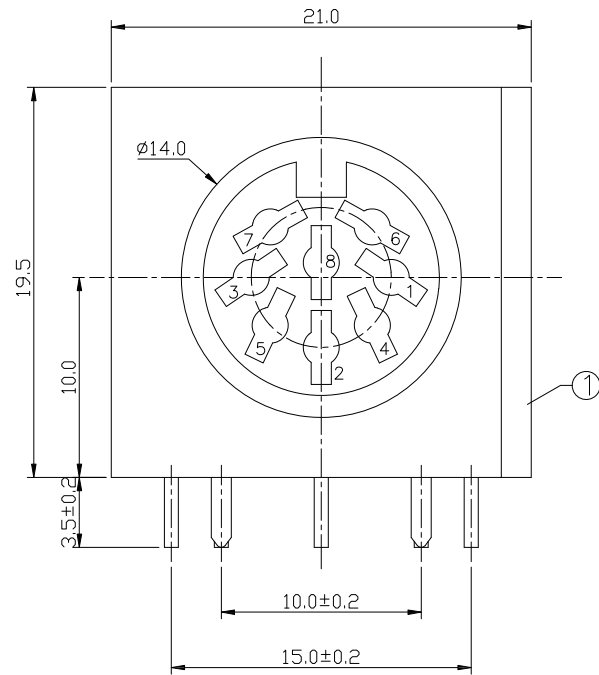


THE INFORMATION CONTAINED IN THIS DOCUMENT IS PROPRIETARY TO JEN JIA PRECISION TECHNOLOGY CO.,LTD. ANY REPRODUCTION IN PART OR WHOLE WITHOUT PRIOR WRITTEN APPROVAL OR AUTHORIZATION OF JEN JIA PRECISION TECHNOLOGY CO.,LTD IS STRICTLY PROHIBITED.

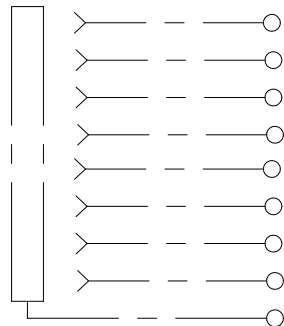
RoHS COMPLIANT

REVISIONS

REV	ECN NO.	DESCRIPTION	APPROVED BY	DATE
1		PROPOSAL DRAWING	Helly Luo	2006-06-02



T:1.6 Dimensions of PC board holes
Tolerance : ±0.1(Printed-top view)



SCHEMATIC DIAGRAM

UNLESS OTHERWISE SPECIFIED, TOLERANCE ON DECIMAL: ±0.3

4	CONTACT FOOT	1	C5191	t=0.3	MB:Cu Ag PLATED
3	CONTACT FOOT	4	C2680	t=0.7	MB:Cu Ag PLATED
2	COVER	1	PBT 4815		UL-94V0(BLACK)
1	HOUSING	1	PBT 4815		UL-94V0(BLACK)
LTR	PART NAME	QTY	MATERIAL		REMARK

DIMENSIONS:
 MM [INCH] INCH [MM] MM ONLY
 UNLESS OTHERWISE SPECIFIED,
 GENERAL TOLERANCE:
 DECIMALS ANGLES
 X° ±3°
 .X° ±1.0°

JJP Jen Jia Precision Technology Co., Ltd.

TITLE		S JACK			
PART NO.	J13410-09034-8	APPROVED BY	JASON MENG		
DRAWING NO.	J13410-09034-8	CHECKED BY	STEVEN LIU		
MATERIAL		DRAWN BY	Helly Luo		
FINISH		GENERATED DATE	2006-06-02		
SCALE	FREE	SHEET	1/1	REV.	1
		SIZE:	A4		
		FILE	NO.:JJP-A-05-003		



DO NOT SCALE DRAWING