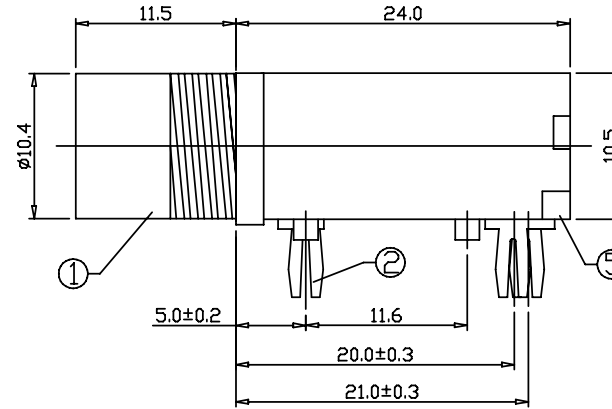
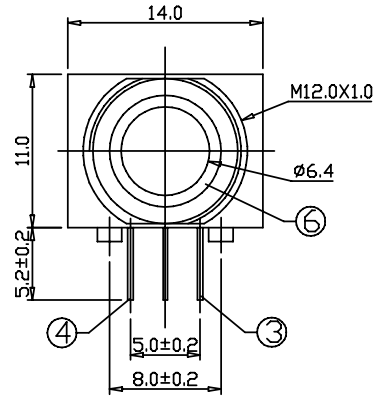


THE INFORMATION CONTAINED IN THIS DOCUMENT IS PROPRIETARY TO JEN JIA PRECISION TECHNOLOGY CO.,LTD. ANY REPRODUCTION IN PART OR WHOLE WITHOUT PRIOR WRITTEN APPROVAL OR AUTHORIZATION OF JEN JIA PRECISION TECHNOLOGY CO.,LTD IS STRICTLY PROHIBITED.

RoHS COMPLIANT

REVISIONS

REV	ECN NO.	DESCRIPTION	APPROVED BY	DATE
A		PROPOSAL DRAWING	JASON MENG	2005-07-11



	P.C.B LAYOUT TOPVIEW	SCHEMATIC
J161063-0612		
J161063-0612-1		

NO.	DESCRIPTION	QTY	MATERIAL	PLATING
6	AXIS SUPPORT	1	H59 BRASS	Ni-Plating
5	COVER	1	ABS	
4	3#CONTACT	1	PHOSPHOR BRONZE	Sn-Plating
3	2#CONTACT	1	PHOSPHOR BRONZE	Sn-Plating
2	1#CONTACT	1	PHOSPHOR BRONZE	Sn-Plating
1	HOUSING	1	ABS	

DIMENSIONS:
 MM [INCH] INCH [MM] MM ONLY
 UNLESS OTHERWISE SPECIFIED, GENERAL TOLERANCE:
 DECIMALS ANGLES
 X. ±0.38 [0.015] X° ±3°
 .X ±0.25 [0.010] .X° ±1.0°
 .XX ±0.13 [0.005]

CAD GENERATED DRAWING, DO NOT MANUALLY UPDATE

THIRD ANGLE PROJECTION

JJP Jen Jia Precision Technology Co., Ltd.

TITLE	OD:6.3 Phone Jack		
PART NO.	J161063-0612	APPROVED BY	JASON MENG
DRAWING NO.	J161063-0612	CHECKED BY	STEVEN LIU
MATERIAL		DRAWN BY	ANNIE WANG
FINISH		GENERATD DATE	2005-07-11
SCALE	N/A	SHEET	1/1
REV.	A	FILE NO.:	JJP-A-05-003

DO NOT SCALE DRAWING