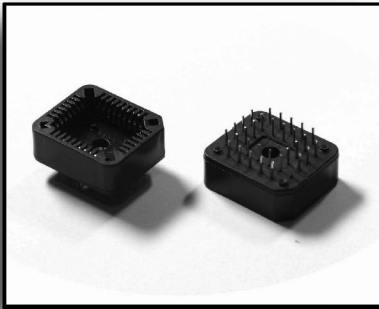


2.54mm(0.1") Pitch,
DIP 32,44 Contact PLCC SOCKET

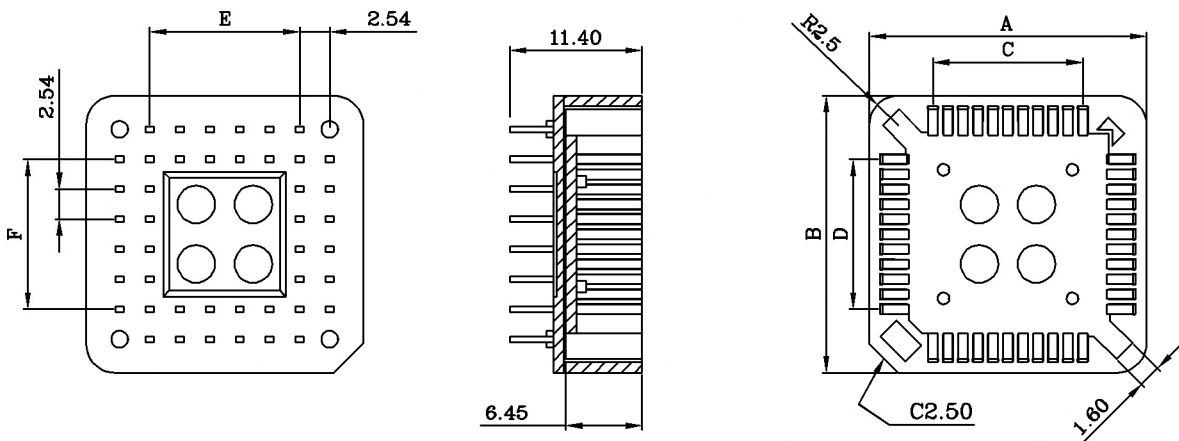
● SPECIFICATIONS ●



Current Rating: 2.0A@80°C ambient
Operating Temp Range: -40°C to +125°C
Insulator Material: PPS (UL94V-0)
Contact Material: Phosphor Bronze
Plating: Standard Plating T2
Unit: mm
Unspecified Tolerance: ±0.2

MIDDLE TYPE:

NO OF CONTACT	A±0.2	B±0.2	C±0.1	D±0.1	E±0.1	E±0.1
32	18.04	20.60	7.62	10.16	7.62	10.16
44	23.30	23.30	12.70	12.70	12.70	12.70



The length of pin for contact side and PCB side can be optional, based upon customer's demands

How to order Please fill in "X" with appropriate codes listed in the tables below.

J 1 6 1 2 1 - D X X C X

