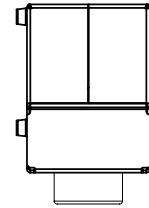
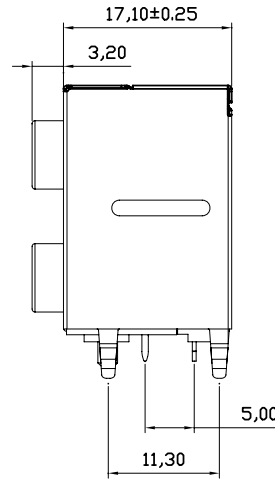
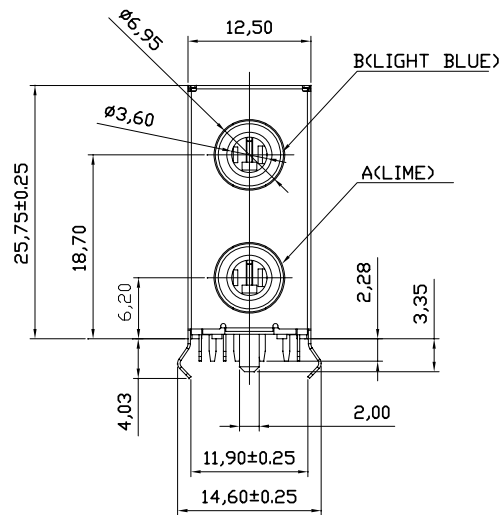


THE INFORMATION CONTAINED IN THIS DOCUMENT IS PROPRIETARY TO JEN JIA PRECISION TECHNOLOGY CO.,LTD. ANY REPRODUCTION IN PART OR WHOLE WITHOUT PRIOR WRITTEN APPROVAL OR AUTHORIZATION OF JEN JIA PRECISION TECHNOLOGY CO.,LTD IS STRICTLY PROHIBITED.

RoHS COMPLIANT

REVISIONS

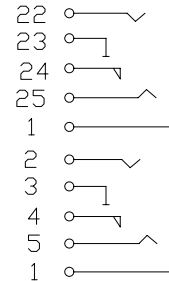
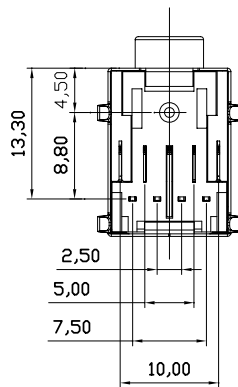
REV	ECN NO.	DESCRIPTION	APPROVED BY	DATE
A		ISSUE A	JASON MENG	2007-12-17



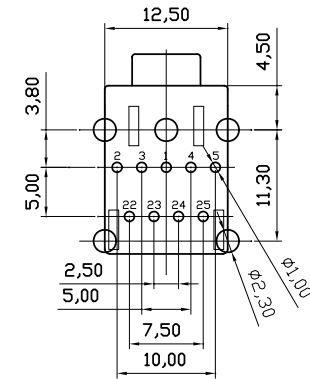
TOP VIEW

NOTES:

- MATERIAL:
 - HOUSING: PA66, UL94V-0 COLOR: BLACK.
 - BUSHING: PA66, UL94V-0 COLOR: A PORT LIME GREEN(577C), B PORT BLUE(284C)
 - CONTACT: BRASS
 - SHELL: SPCC
- FINISH:
 - CONTACT: GOLD FLASH ON CONTACT AREA, 100u" MIN SN ONLY (MATTE) PLATING ON SOLDER TAIL AREA, 30~50u" NICKEL UNDERPLATED OVERALL.
 - SHELL: 50u" MIN NICKEL UNDERPLATED



CIRCUIT SCHEMATIC



RECOMMENDED PCB LAYOUT
(ALL TOLERANCES ARE ±0.05)

DO NOT SCALE DRAWING

DIMENSIONS:

MM [INCH] INCH [MM] MM ONLY

UNLESS OTHERWISE SPECIFIED, GENERAL TOLERANCE:

DECIMALS	ANGLES
X. ±0.38 [0.015]	X° ±3°
.X ±0.25 [0.010]	.X° ±1.0°
.XX ±0.13 [0.005]	

CAD GENERATED DRAWING, DO NOT MANUALLY UPDATE

THIRD ANGLE PROJECTION

JJP Jen Jia Precision Technology Co., Ltd.

TITLE	SMART AUDIO JACK 1x2		
PART NO.	J18315-91-90447-075	APPROVED BY	JASON MENG
DRAWING NO.	J18315-91-90447-075	CHECKED BY	STEVEN LIU
MATERIAL		DRAWN BY	John HE
FINISH		GENERATD DATE	2007-12-17
SCALE	SHEET	REV.	SIZE: A4
FREE	1/3	A	FILE NO.:JJP-A-05-003