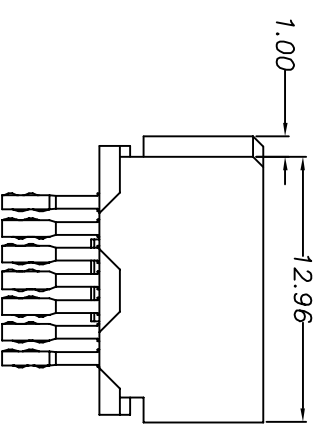


NOTE:
J191201-ASB-A01-A*007*

1. Housing Color:
A: Black
B: White
C: Beige

3. Contact Area Plating:
A:Au:G/F
B:Au:3u"
C:Au:5u"
D:Au:15u"
E:Au:20u"
F:Au:30u"



ITEM	DESC	MATERIAL	REMARKS
2	Terminal	Copper Alloy T=0.25mm	Contact Area: See Note Soldertail Area: Sn 100u" Min Under-Plating: Ni 50u" Min
1	Housing	PBT+30%G.F., UL 94V-0	Color: See Note

JJP Jen Jia Precision Co., LTD.	
INTENDED USE	SATA F/180°/CRIMPING-RoHS
CUSTOMER	
TOLERANCES	
TITLE	J191201-ASB-A01-A*007*CHKD
PART NO.	J191201-ASB-A01-A*007*APPRD
DRAW. NO.	J191201-ASB-A01-A*007*CHKD
MATERIAL	SEE NOTE
FINISH	SEE NOTE
SCALE	1/1
SHEET	1/1
DATE	08-11-01
REV	A
UNIN	mm
DATE	08-11-01
REV	A
UNIN	mm

DIM. ±0.30
ANGLE: 3°

