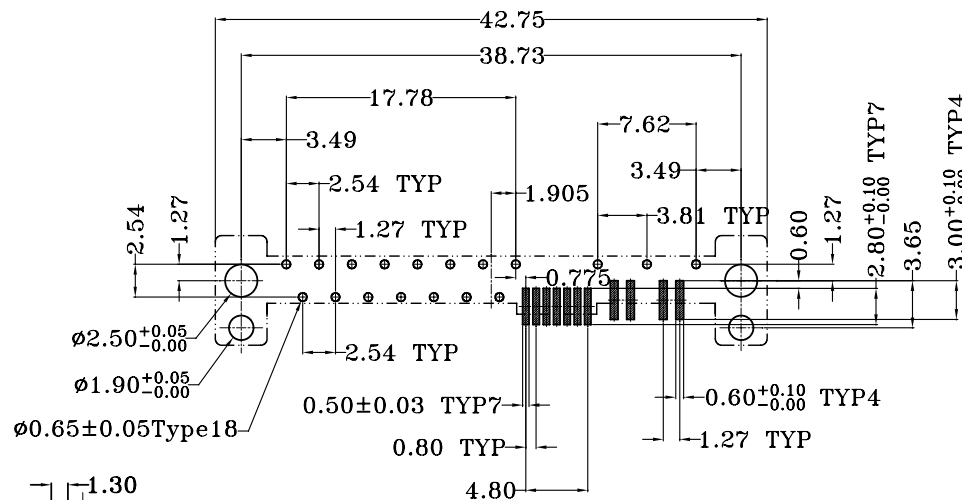
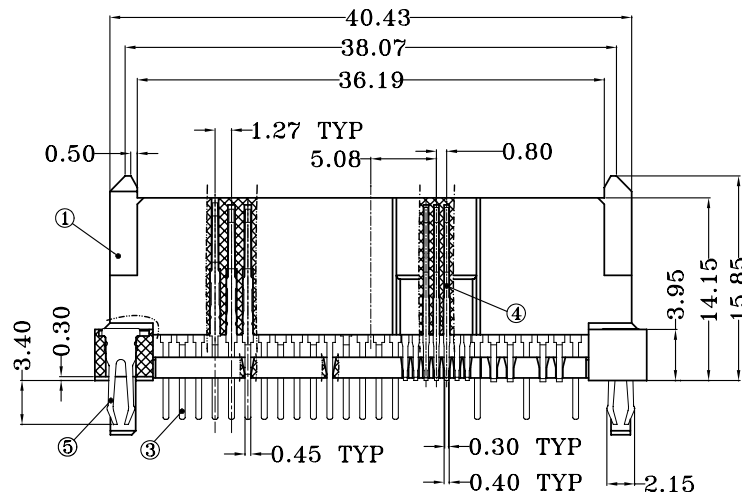
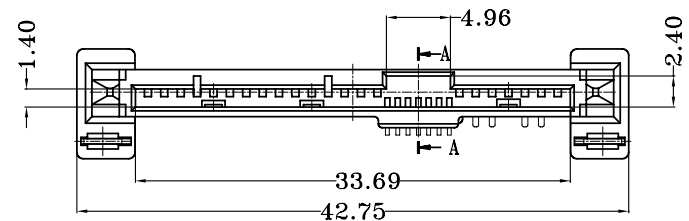


THE INFORMATION CONTAINED IN THIS DOCUMENT IS PROPRIETARY TO JEN JIA PRECISION TECHNOLOGY CO.LTD. ANY REPRODUCTION IN PART OR WHOLE WITHOUT PRIOR WRITTEN APPROVAL OR AUTHORIZATION OF JEN JIA PRECISION TECHNOLOGY CO.LTD IS STRICTLY PROHIBITED.

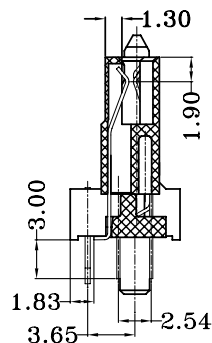
RoHS COMPLIANT

REVISIONS

REV	ECN NO.	DESCRIPTION	APPROVED BY	DATE
A		ISSUE A	JASON MENG	2007-12-17



PCB LAYOUT (PCB THICKNESS=2.00mm)
TOP VIEW



SECTION A-A

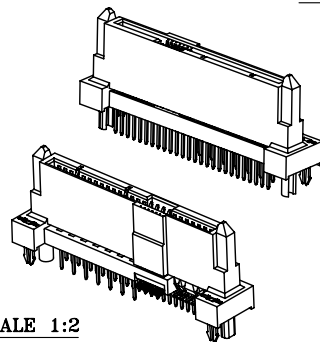
5	Board lock	Brass C2680R-H		Tin Plated
4	Terminal	Pho.Bronze C5191R-H		Gold/Tin Plated
3	Terminal	Pho.Bronze C5191R-H		Gold/Tin Plated
2	Cover	L.C.P	Black	UL 94V-0
1	Housing	L.C.P	Black	UL 94V-0
NO.	DESCRIPTION	MATERIAL	COLOR	REMARK

J191201-SF1 XX 003 X K X

1.Plating:

- 21-Flash.Gold in contact area/
100u" Min Tin in solder area.
- 22-3U" Min.Gold in contact area/
100u" Min Tin in solder area.
- 23-5U" Min.Gold in contact area/
100u" Min Tin in solder area.
- 24-10U" Min.Gold in contact area/
100u" Min Tin in solder area.
- 25-15U" Min.Gold in contact area/
100u" Min Tin in solder area.
- 26-20U" Min.Gold in contact area/
100u" Min Tin in solder area.
- 27-30U" Min.Gold in contact area/
100u" Min Tin in solder area.

- 2."R" :RoHS "G" :GP "B" :GP Br-free
- 3.Packing:A-Tube Without CAP
C-Tray Without CAP



SCALE 1:2

DIMENSIONS:
 MM [INCH] INCH [MM] MM ONLY

UNLESS OTHERWISE SPECIFIED,
GENERAL TOLERANCE:

DECIMALS ANGLES
X. ±0.38 [0.015] X° ±3°
.X ±0.25 [0.010] .X° ±1.0°
.XX ±0.13 [0.005]

CAD GENERATED DRAWING,
DO NOT MANUALLY
UPDATE

THIRD ANGLE
PROJECTION



JJP Jen Jia Precision Technology Co., Ltd.

TITLE	SAS 29P 母座 鱼叉双柱 直立式DIP SMT型		
PART NO.	J191201-SF1XX003XKA	APPROVED BY	JASON MENG
DRAWING NO.	J191201-SF1XX003XKA	CHECKED BY	STEVEN LIU
MATERIAL		DRAWN BY	John HE
FINISH		GENERATD DATE	2007-12-17
SCALE	SHEET	REV.	SIZE: A4
FREE	1/1	A	FILE NO.:JJP-A-05-003

DO NOT SCALE DRAWING