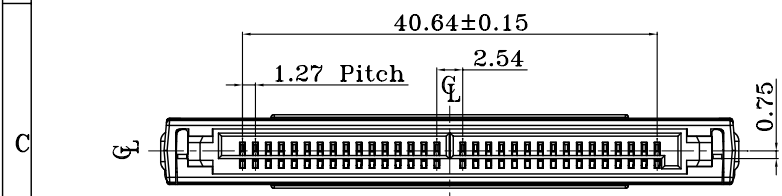
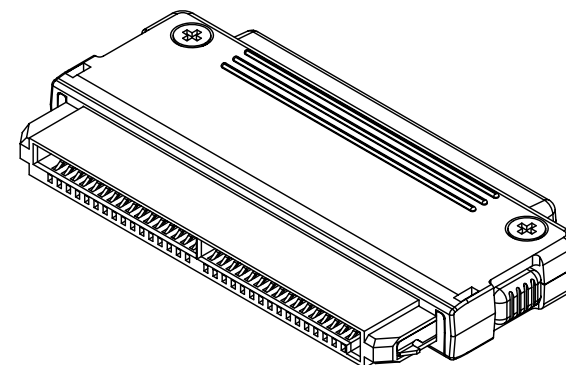
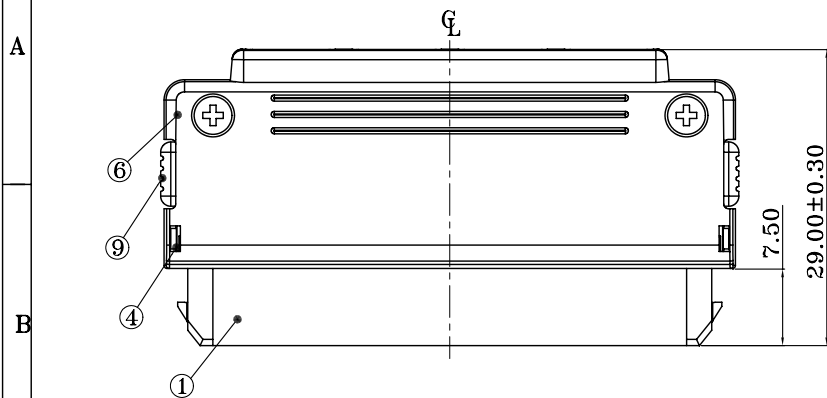


THE INFORMATION CONTAINED IN THIS DOCUMENT IS PROPRIETARY TO JEN JIA PRECISION TECHNOLOGY CO.,LTD. ANY REPRODUCTION IN PART OR WHOLE WITHOUT PRIOR WRITTEN APPROVAL OR AUTHORIZATION OF JEN JIA PRECISION TECHNOLOGY CO.,LTD IS STRICTLY PROHIBITED.

RoHS COMPLIANT

REVISIONS

| REV | ECN NO. | DESCRIPTION | APPROVED BY | DATE       |
|-----|---------|-------------|-------------|------------|
| A   |         | ISSUE A     | JASON MENG  | 2007-12-17 |



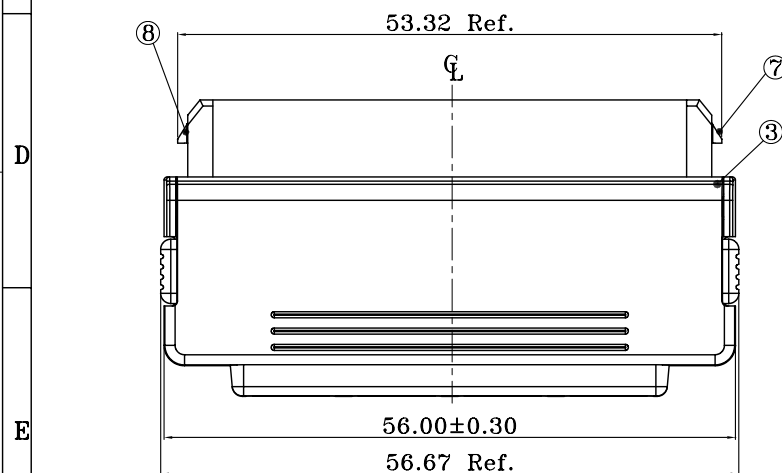
J191201-SF5  $\frac{XX}{1}$  016  $\frac{X}{2}$   $\frac{KX}{3}$

1.Plating:

- 21-Flash.Gold in contact area/  
100u" Min Tin in solder area.
- 23-5U" Min.Gold in contact area/  
100u" Min Tin in solder area.
- 24-10U" Min.Gold in contact area/  
100u" Min Tin in solder area.
- 25-15U" Min.Gold in contact area/  
100u" Min Tin in solder area.
- 27-30U" Min.Gold in contact area/  
100u" Min Tin in solder area.
- .....

| NO. | DESCRIPTION | MATERIAL           | COLOR | REMARK          |
|-----|-------------|--------------------|-------|-----------------|
| 9   | Keystroke   | P.B.T              | Black | UL 94V-0        |
| 8   | Right Clasp | sus 301 1/2H       |       |                 |
| 7   | Left Clasp  | sus 301 1/2H       |       |                 |
| 6   | Scerw       | M2螺丝               |       | 喷镀黑漆            |
| 5   | Terminal    | Pho.Bronze C5191-H |       | Gold/Tin Plated |
| 4   | Back Cover  | ABS+PC             | Black | UL 94V-0        |
| 3   | Front Cover | ABS+PC             | Black | UL 94V-0        |
| 2   | Cover       | LCP                | Black | UL 94V-0        |
| 1   | Housing     | LCP                | Black | UL 94V-0        |

- 2."R" :RoHS "G" :GP "B" :GP Br-free
- 3.Packing:G-PE Bag



**DIMENSIONS:**  
 MM [INCH]     INCH [MM]     MM ONLY

UNLESS OTHERWISE SPECIFIED,  
GENERAL TOLERANCE:

|                   |           |
|-------------------|-----------|
| DECIMALS          | ANGLES    |
| X. ±0.38 [0.015]  | X° ±3°    |
| .X ±0.25 [0.010]  | .X° ±1.0° |
| .XX ±0.13 [0.005] |           |

CAD GENERATED DRAWING,  
DO NOT MANUALLY UPDATE

THIRD ANGLE PROJECTION

JJP Jen Jia Precision Technology Co., Ltd.

| TITLE       | SAS 16+16P 母座 线端 焊线式 |               |                       |
|-------------|----------------------|---------------|-----------------------|
| PART NO.    | J191201-SF5XX016KXK  | APPROVED BY   | JASON MENG            |
| DRAWING NO. | J191201-SF5XX016KXK  | CHECKED BY    | STEVEN LIU            |
| MATERIAL    |                      | DRAWN BY      | John HE               |
| FINISH      |                      | GENERATD DATE | 2007-12-17            |
| SCALE       | SHEET                | REV.          | SIZE: A4              |
| FREE        | 1/1                  | A             | FILE NO.:JJP-A-05-003 |

DO NOT SCALE DRAWING