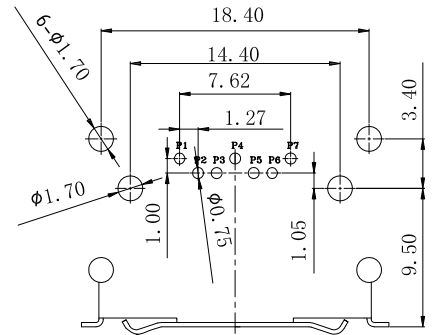
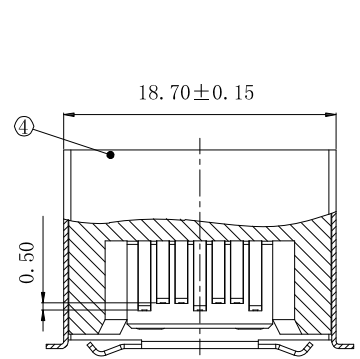


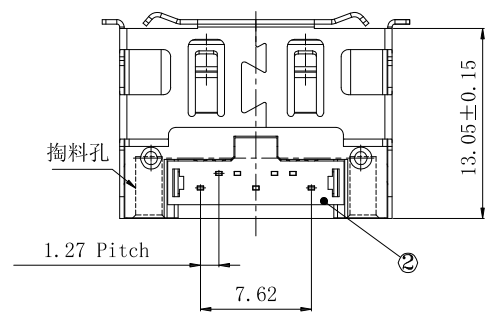
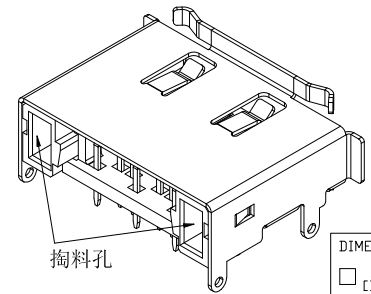
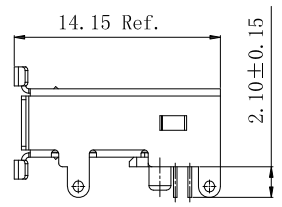
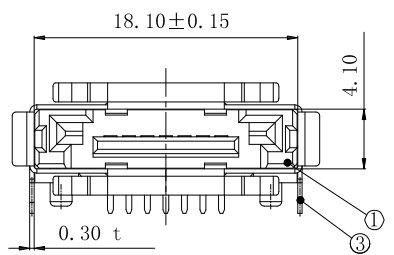
THE INFORMATION CONTAINED IN THIS DOCUMENT IS PROPRIETARY TO JEN JIA PRECISION TECHNOLOGY CO.,LTD, ANY REPRODUCTION IN PART OR WHOLE WITHOUT PRIOR WRITTEN APPROVAL OR AUTHORIZATION OF JEN JIA PRECISION TECHNOLOGY CO.,LTD IS STRICTLY PROHIBITED.

RoHS COMPLIANT

REVISIONS				
REV	ECN NO.	DESCRIPTION	APPROVED BY	DATE
1		PROPOSAL DRAWING	Helly Luo	2008-05-23



(FRONT EDGE OF CONNECTOR)
RECOMMENDED PC BOARD LAYOUT



J191201-XX008KXX
1 2 3

- 1.Plating:**
 21-Flash.Gold in contact area/
 100u" Min Tin in solder area.
 22-3U" Min.Gold in contact area/
 100u" Min Tin in solder area.
 23-5U" Min.Gold in contact area/
 100u" Min Tin in solder area.
 24-10U" Min.Gold in contact area/
 100u" Min Tin in solder area.
 25-15U" Min.Gold in contact area/
 100u" Min Tin in solder area.
 26-20U" Min.Gold in contact area/
 100u" Min Tin in solder area.
 27-30U" Min.Gold in contact area/
 100u" Min Tin in solder area.

- 2."R" :RoHS "G" :GP**
- 3.Packing:C-Tray Without CAP**

NO.	DESCRIPTION	MATERIAL	COLOR	REMARK
4	Shell	Brass C2680R-H		Tin Plated
3	Terminal	Brass C2680R-H		Gold/Tin Plated
2	COVER	PBT	Black	UL 94V-0
1	Housing	LCP	Black	UL 94V-0

DO NOT SCALE DRAWING

DIMENSIONS:
 MM [INCH] INCH [MM] MM ONLY

UNLESS OTHERWISE SPECIFIED, GENERAL TOLERANCE:
 DECIMALS ANGLES
 10~ ±0.35 [0.014] X° ±3°
 5-10 ±0.25 [0.010] .X° ±1.0°
 0-5 ±0.20 [0.008]

CAD GENERATED DRAWING, DO NOT MANUALLY UPDATE

THIRD ANGLE PROJECTION

JJP Jen Jia Precision Technology Co., Ltd.

TITLE			
E SATA Male Frontal 90° DIP type			
PART NO.	J191201-XX008KXX	APPROVED BY	JASON MENG
DRAWING NO.	J191201-XX008KXX	CHECKED BY	STEVEN LIU
MATERIAL		DRAWN BY	Helly Luo
FINISH		GENERATED DATE	2008-05-23
SCALE	SHEET	REV.	SIZE: A4
FREE	1/1	1	FILE NO.:JJP-A-05-003