

1 2 3 4 5 6 7 8

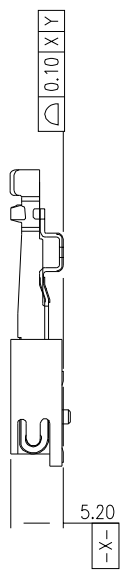
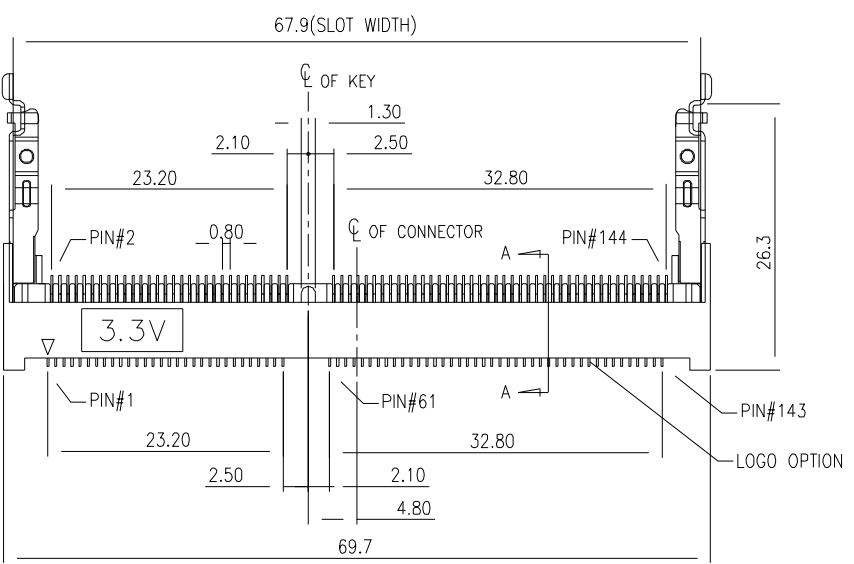
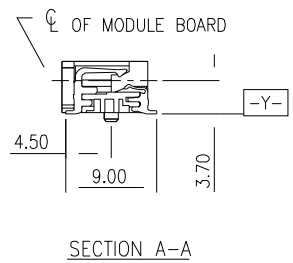
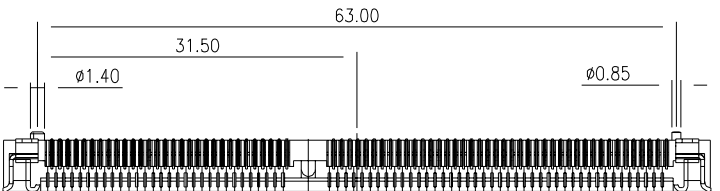
A

B

C

D

E



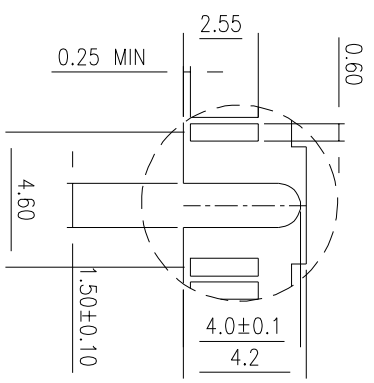
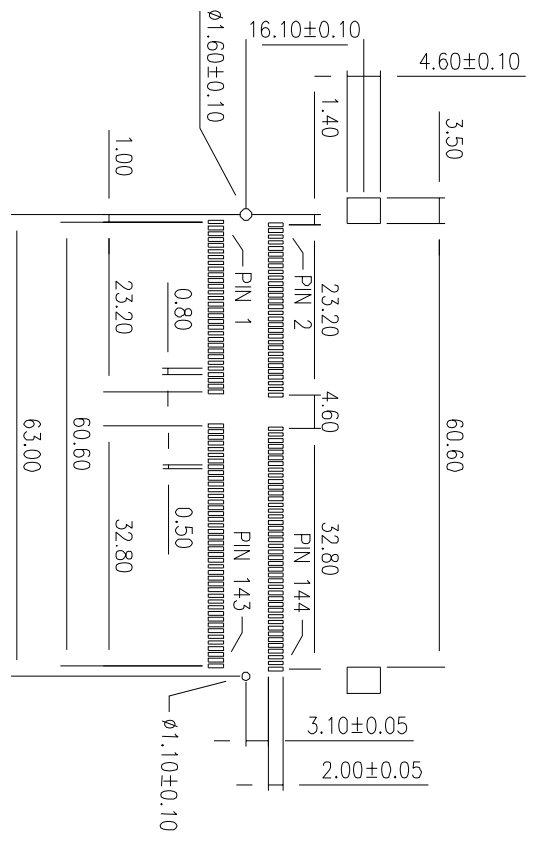
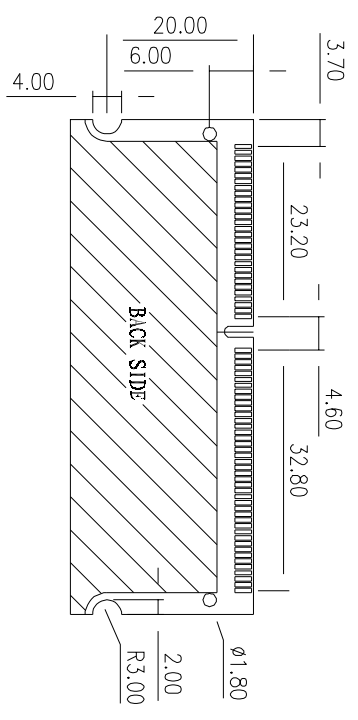
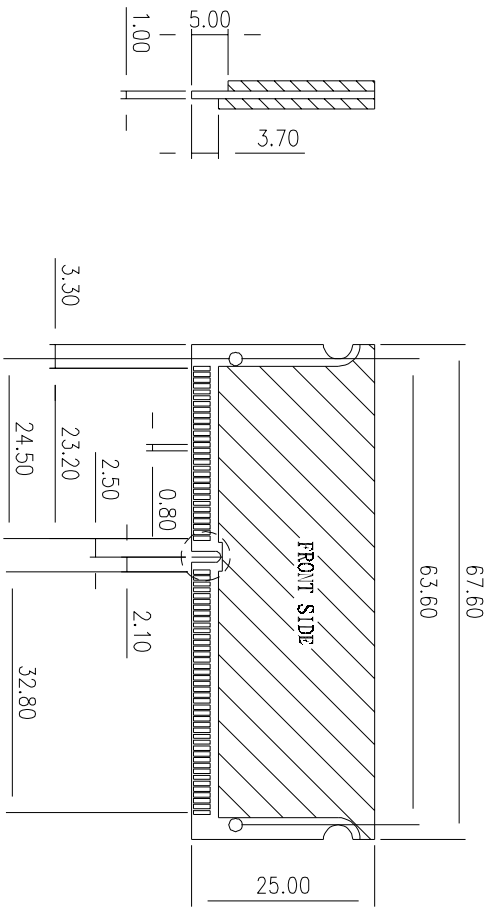
- * MATERIAL :
HOUSING : LCP UL94V-0, IVORY
CONTACT : PHOSPHOR BRONZE OR BRASS.
METAL SPRING & SOLDER PAD: SUS301.
- * FINISH :
HOUSING : IVORY COLOR.
CONTACT : (1) AU SELECTIVE PLATED ,50u" MIN. NICKEL UNDER PLATING, 100u" MIN. SN ONLY PLATED AT TAIL.
(2) GOLD PLATED ON CONTACT & SOLDERING END OVER 50u" MIN. NICKEL UNDER-PLATING.
METAL SPRING & SOLDER PAD: 50u" MIN. NICKEL UNDER PLATING ,100u" MIN. SN ONLY PLATING OVER ALL.
- * CHARACTERISTICS :
CURRENT RATING : 0.3 AMPERE MAX.
VOLTAGE RATING : 25 VAC.
OPERATION TEMPERATURE : -55°C TO +85°C.
DURABILITY : 30 MATING CYCLES.
CONTACT RETENTION FORCE : 0.15 KGF MIN PER PIN.
CONTACT RESISTANCE : 35 MILLIOHMS MAX. INITIAL.
INSULATION RESISTANCE : 250 MEGAOHMS MIN.
DIELECTRIC WITHSTANDING VOLTAGE : 250VAC RMS AT 60HZ, FOR 1 MINUTE.

| CONTACT PLATED OPTION | | |
|---|-------------------|--------------------|
| □: B-SELECTIVE GOLD/NON LEAD, C-FULL GOLD 3u"/NON LEAD, D-3u" GOLD/NON LEAD, E-8u" GOLD/NON LEAD, F-FULL GOLD 1u" | | |
| MATTE | BRASS(3.3V) | J19154-144-X5A110N |
| | PHOS.BRONZE(3.3V) | J19154-144-X2A110N |
| SHINE | BRASS(3.3V) | J19154-144-X4A110N |
| | PHOS.BRONZE(3.3V) | J19154-144-X0A110N |
| SN ONLY | CONTACT MATERIAL | PART NO/NO LOGO |

JJP Jen Jia Precision Co., LTD.

| | | | | | | | | | | | | | | | | |
|---------------|----------|--|--|----------|-----------------------------------|--|--|------|-------|--|--|-------------|------|--|--|--|
| INETENDED USE | TITLE | | | | S.O DIMM 144 POS SMT 5.2MM (RoHS) | | | | | | | | | | | |
| CUSTOMER | PART NO. | | | | J19154-144-XXA110X | | | | | | | | | | | |
| TOLERANCES | DRAW NO. | | | | J19154-144-XXA110X | | | | | | | | | | | |
| .X ±0.38 | X. ±2' | | | | APPRD | | | | Mark | | | | | | | |
| .XX ±0.25 | .X ±1' | | | | CHKD | | | | Steve | | | | | | | |
| .XXX ±0.15 | MATERIAL | | | | SEE NOTE | | | | DRAW | | | | Tina | | | |
| FINISH | | | | SEE NOTE | | | | DATE | | | | 08-JUN 2006 | | | | |
| SCALE | | | | SHEET | | | | REV | | | | UNIN | | | | |
| 1:1 | | | | 1/2 | | | | A | | | | mm | | | | |

1 2 3 4 5 6 7 8



RECOMMEND PCB LAYOUT MODULE AND PATTERN

JJP Jen Jia Precision Co., LTD.

| | | |
|--------------|-----------------------------------|------------------|
| INTENDED USE | S.O DIMM 144 POS SMT 5.2MM (RoHS) | |
| CUSTOMER | MARK | |
| TOLERANCES | J19154-144-XXA110X | CHKD Steve |
| | J19154-144-XXA110X | DRAW Tina |
| .X ±0.38 | X. ±2° | DATE 08-JUN-2006 |
| .XX ±0.25 | X. ±1° | REV A |
| .XXX ±0.15 | | SHEET 2/2 |
| | | SCALE 1:1 |
| | | UNITS mm |

