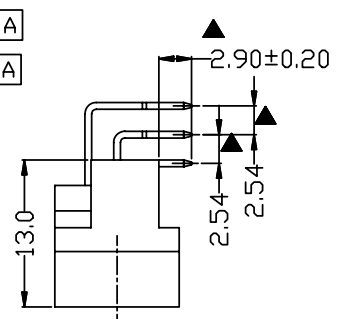
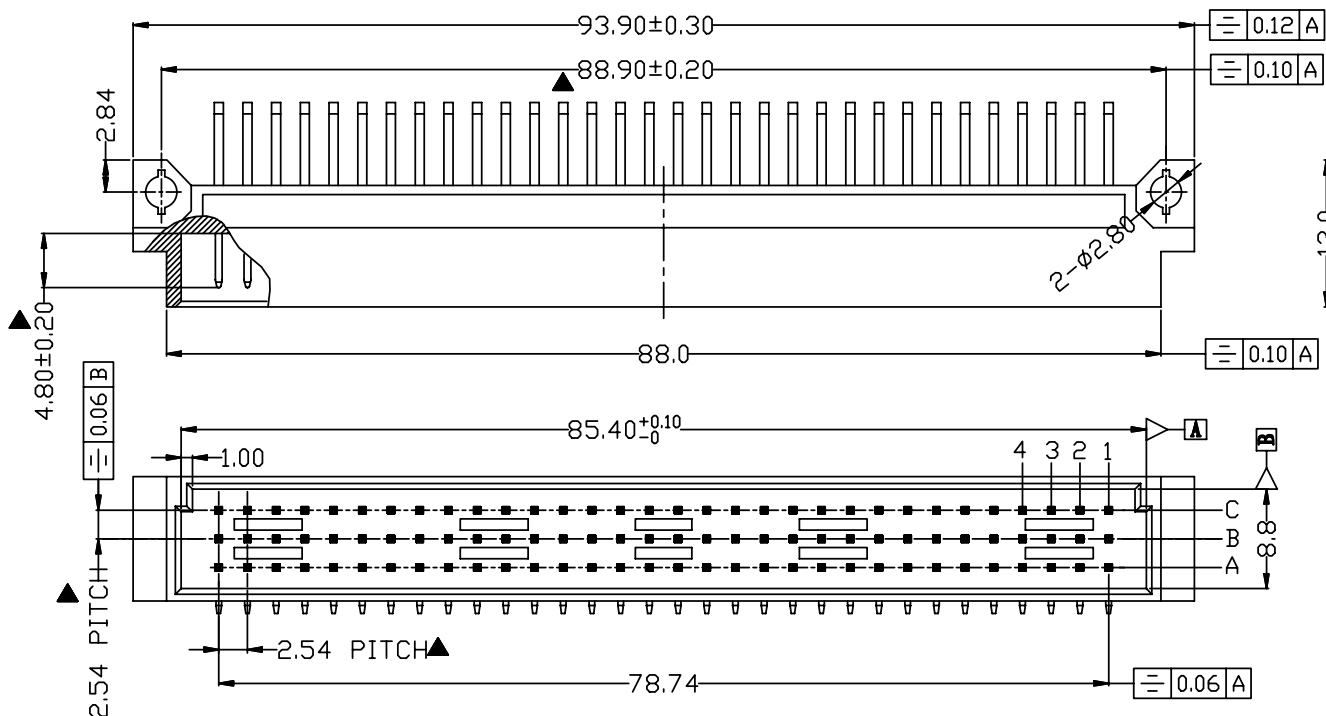


ROHS COMPLIANT

REV.	DESCRIPTION	ECN NO.	DATE	DRAW	APPROV.
A			2008-04-08	John	Jason



Material:
 Housing: PBT+GF30% UL94V-0,COLOR:WHITE;
 Contacts: Brass T=0.60.
 Finish:
 Contact: Gold2~3u' Plated over Nickel 80~100u'
 Specification:
 Electrical Characteristics:
 Current Rating: 2 AMP.
 Dielectric Withstanding Voltage: AC 1000V For 1 minute.
 Insulator Resistance: 1000MΩmin. at DC 500V.
 Contact Resistance: 30mΩ Max.at DC 100mA.
 Operating Temperature: -55°C~+105°C
 Control Dimensions Indicated From" ▲ ".

Pitch	Position	Rows with Contacts	Contact Arrange
2.54mm	96	A B C	
	64	A B -	
	64	A - C	
5.08mm	32	A - -	
	48	A B C	
	32	A B -	
	32	A - C	
	16	A - -	

J2084-05X X X-R0/GP
 ① ② ③

- Pitch:
 2 - 2.54 Pitch
 5 - 5.08 Pitch
- Contacts Material:
 B - Brass Material
- Contact Plated:
 2 - Gold 2u' Plated
 3 - Gold 3u' Plated

JJP Jen Jia Precision Co., LTD.			
TITLE	DIN41612 Series		
PART NO.	J2084-05XXX-R0/GP	APPROD	Mark
DRAW NO.	J2084-05XXX-R0/GP	CHKD	Steve
THIRD ANGLE PROJECTION		DRAW	John
		DATE	2008-04-08
SCALE	SHEET	REV	UNIN
1:1	1/1	A	MM

TOLERANCES	
.x	±0.25
.xx	±0.13