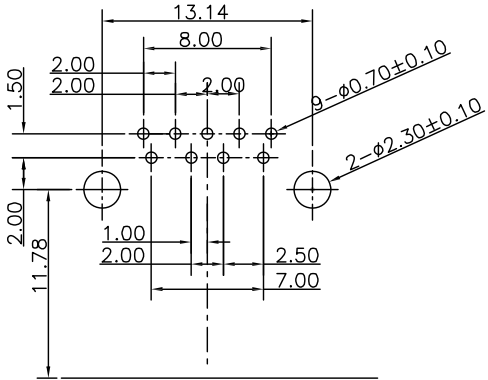
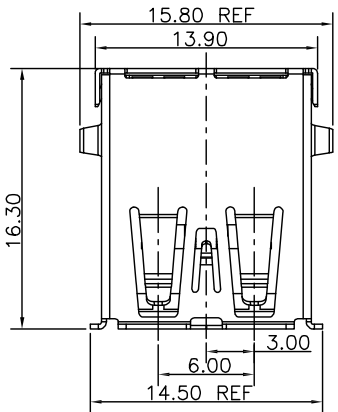


ROHS
COMPLIANT

REV	DESCRIPTION	ECN NO.	DATE	DRAW	APPROV.
1	PROPOSAL DRAWING		2011-05-26	Annie	Jason



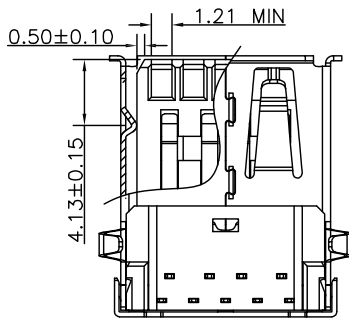
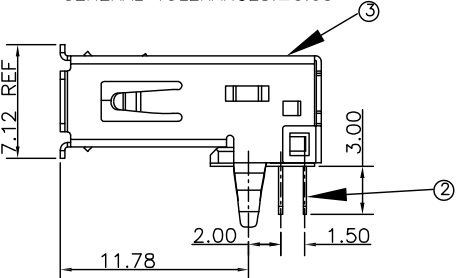
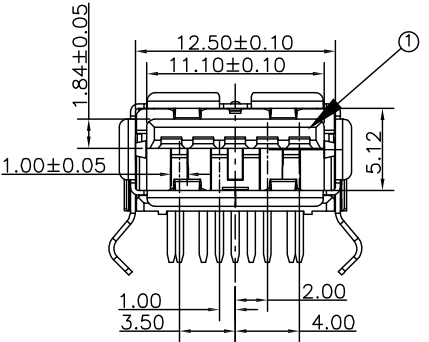
J2119-AW2-ADC-09*

HOUSING COLOR:
D: PBT BLUE

SHELL:
C: COPPER ALLOY PLATING NI

Contact Area Plating
A: Au: G/F
B: Au: 3u"
C: Au: 5u"
D: Au: 15u"
E: Au: 20u"
F: Au: 30u"

RECOMMENDED PCB LAYOUT(TOP VIEW)
GENERAL TOLERANCES: ±0.05



JJP Jen Jia Precision Technology Co., Ltd.

TITLE	USB3.0 A/F/90°/DIP		
PART NO.	J2119-AW2ADC09*	APPRO	Mark
DRAW NO.	J2119-AW2A01	CHKD	Steve
THIRD ANGLE PROJECTION 		DRAW	John
		DATE	2011-05-26
SCALE	SHEET	REV	UNIN
NONE	1/1	1	MM

