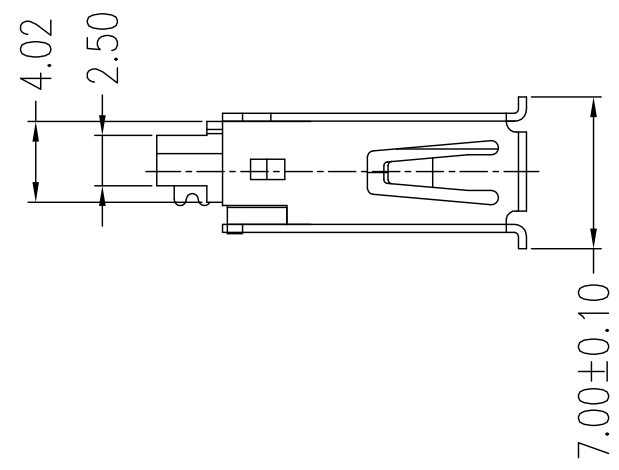
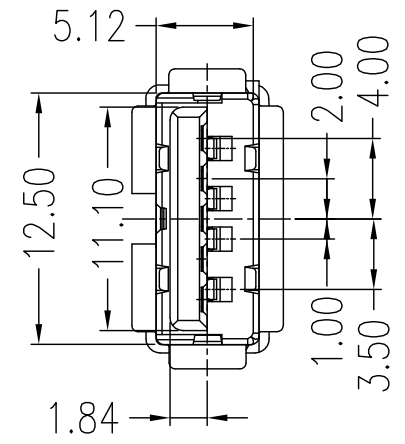
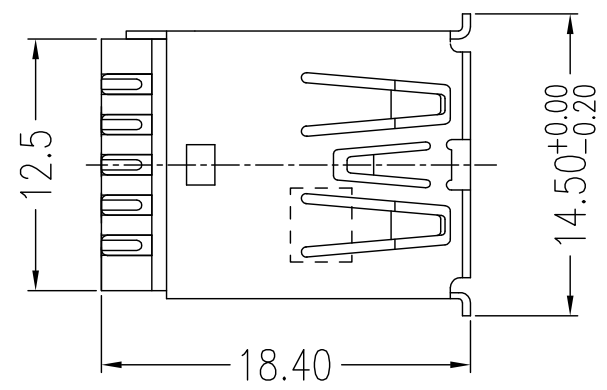


1 2 3 4 5 6 7 8

ROHS
COMPLIANT

REV	DESCRIPTION	ECN NO.	DATE	DRAW	APPROV.
1	PROPOSAL DRAWING		2011-05-26	Annie	Jason



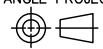
J2119-AWF-ADC-09*

HOUSING COLOR:
D: PBT BLUE

SHELL:
C: COPPER ALLOY PLATING NI

Contact Area Plating
A: Au: G/F
F: Au: 30u"

JJP Jen Jia Precision Technology Co., Ltd.

TITLE	USB3.0 A/F/SOLDER		
PART NO.	J2119-AWFADC09*	APPRO	Mark
DRAW NO.	J2119-AWFA01	CHKD	Steve
THIRD ANGLE PROJECTION 		DRAW	John
		DATE	2011-05-26
SCALE	SHEET	REV	UNIN
NONE	1/1	1	MM

1 2 3 4 5 6 7 8

A

B

C

D

E

A

B

C

D

E