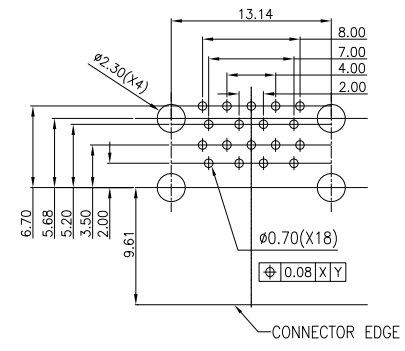
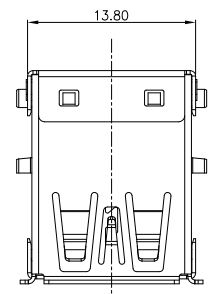


THE INFORMATION CONTAINED IN THIS DOCUMENT IS PROPRIETARY TO JEN JIA PRECISION TECHNOLOGY CO.,LTD, ANY REPRODUCTION IN PART OR WHOLE WITHOUT PRIOR WRITTEN APPROVAL OR AUTHORIZATION OF JEN JIA PRECISION TECHNOLOGY CO.,LTD IS STRICTLY PROHIBITED.

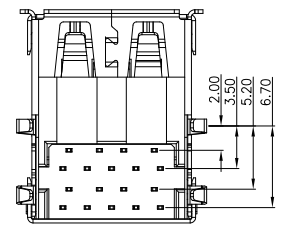
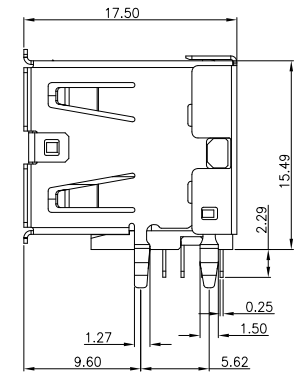
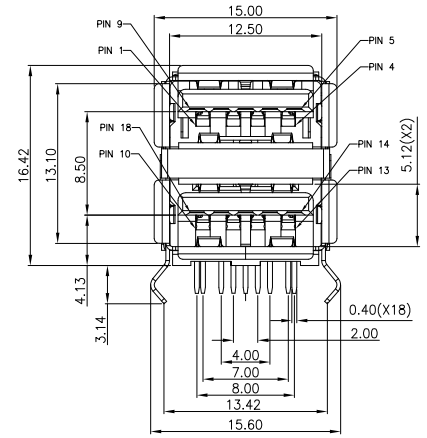
RoHS COMPLIANT

REVISIONS				
REV	ECN NO.	DESCRIPTION	APPROVED BY	DATE
1		PROPOSAL DRAWING	Helly Luo	2013-02-15



RECOMMENDED P.C.B LAYOUT (COMPONENT SIDE)
T=1.60±0.05mm, DEFAULT TOLERANCE: ±0.05

- NOTES:
- ELECTRICAL CHARACTERISTICS:
 - VOLTAGE & CURRENT RATING: DC 30V MAX RATED CURRENT: 1.5 A
 - CONTACT RESISTANCE: 30mΩ MAX.
 - INSULATION RESISTANCE: 1000MΩ MIN.
 - DIELECTRIC WITHSTAND: 750V AC for 1 MINUTE
 - OPERATING TEMPERATURE: -20°C ~ +85°C
 - MECHANICAL CHARACTERISTICS:
 - INSERT FORCE: 35N MAX.
 - WITHDRAW FORCE: 10N MIN INITIAL.
 - LIFE TEST: 1500 CYCLES
 - OTHER GENERAL SPEC. TO REFER "USB 2.0 SERIES SPEC"
 - PRODUCT NO:



- J21193-UD-1 1 0 1 2 1
- HOUSING MATERIAL
 - 1=HF LCP
 - 3=PA9T
 - HOUSING COLOR
 - 1=BLACK
 - 2=BLUE
 - CONTACT PLATING
 - 01=G/F
 - 02=3u"
 - PACKAGE TYPE
 - 1=SOFT TRAY
 - SHELL MATERIAL
 - 1=SPCC
 - 2=BRASS
 - 3=SUS

NO	DESCRIPTION	QTY	MATERIAL	PLATING & COLOR
A	BACK SHELL	1	SK7&SPCC	NICKELPLATING OVERALL
E	MIDDLE SHELL	1	SUS & SK7&SPCC&BRASS	NO PLATING (FOR SUS) NICKELPLATING OVERALL
D	FRONT SHELL	1	SK7&SPCC&BRASS	NICKELPLATING OVERALL, AND TAB WITH Tin PLATED
C	CONTACT(4PIN&5PIN)	4	BRASS	G/F PATING AT CONTACT AREA Ni UNDRPLATING OVERALL
B	BACK COVER	1	HF LCP	BLACK
A	HOUSING	1	HF LCP	BLACK

DIMENSIONS: <input type="checkbox"/> MM [INCH] <input type="checkbox"/> INCH [MM] <input checked="" type="checkbox"/> MM ONLY				JJP Jen Jia Precision Technology Co., Ltd.			
UNLESS OTHERWISE SPECIFIED, GENERAL TOLERANCE:				TITLE: 双层USB 3.0 90度插板母座			
DECIMALS X. ±0.50 [0.020] .X ±0.38 [0.015] .XX ±0.30 [0.012]		ANGLES X° ±4° .X° ±2.0°		PART NO.	J21193-UD-110121		
CAD GENERATED DRAWING, DO NOT MANUALLY UPDATE		MATERIAL		APPROVED BY	JASON MENG		
THIRD ANGLE PROJECTION		FINISH		CHECKED BY	STEVEN LIU		
		SCALE: FREE		DRAWN BY	Helly Luo		
		SHEET: 1/1		GENERATED DATE	2013-02-15		
		REV: 1		FILE NO.	JJP-A-05-003		
		SIZE: A4					

DO NOT SCALE DRAWING

