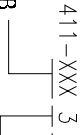
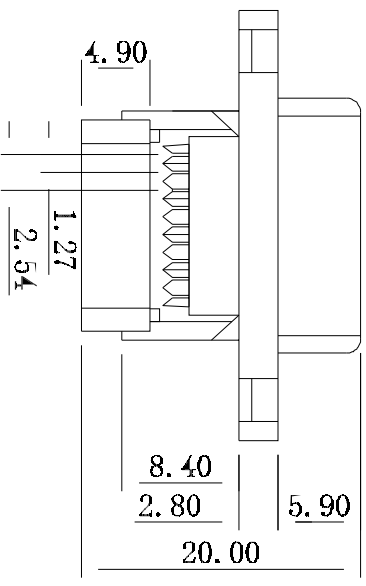


- NOTES:
- MATERIAL:
INSULATOR: PBT +30%GF (BLUE)
CONTACTS: BRONZE
SHELL: SPCC
LEISTER: IRON

- FINISH:
CONTACTS: NICKEL PLATING BOTTOM/50U"
PLATING TINOOU" FUNCTION AREA PLATINGIU"
SHELL: SURFACE PLATING NI100U"
LEISTER: PLATING BOTTOM NI 50U", PLATING S180-120U"

- PART NUMBER: J419212-1411-XXX 3 3
PIN NO SEE TAB  3. SELECTIVE GOLD FLASH
3. TRAY



PIN	DIM	A	B	C
9P		30.8	25.0	16.93
15P		39.2	33.32	25.25
25P		53.05	47.04	38.96
37P		69.4	63.5	55.42

INTENDED USE		TITLE		D-SUB FEMALE IDC	
CUSTOMER		PART NO.		J419212-1411-XXX33	
TOLERANCES		DRAW NO.		J419212-1411	
X±	---	ANGLE	X*±2°	CHKD	Steve
X.X±	0.30	MATERIAL	SEE NOTE	DRAW	Tina
X.XX±	0.25	FINISH	SEE NOTE	DATE	08/04/21
X.XXX±	0.20	SCALE	1:1	REV	A
		SHEET	1/1	UNIN	mm

JJP Jen Jia Precision Co., LTD.

