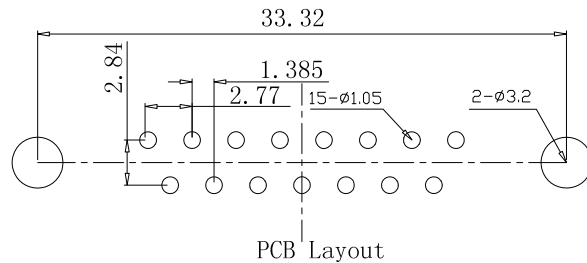
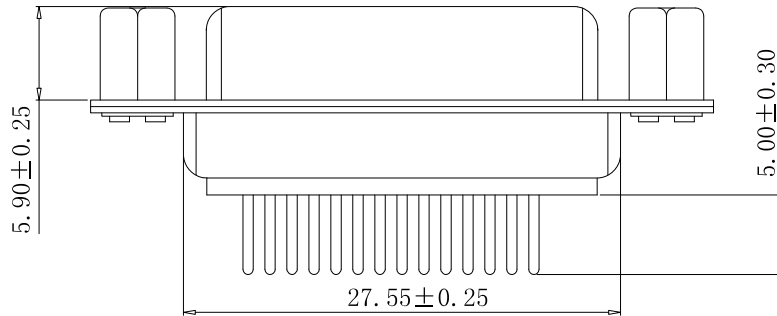
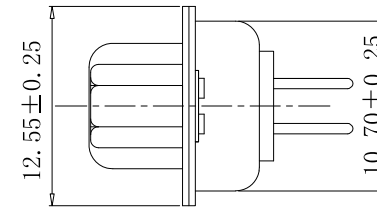
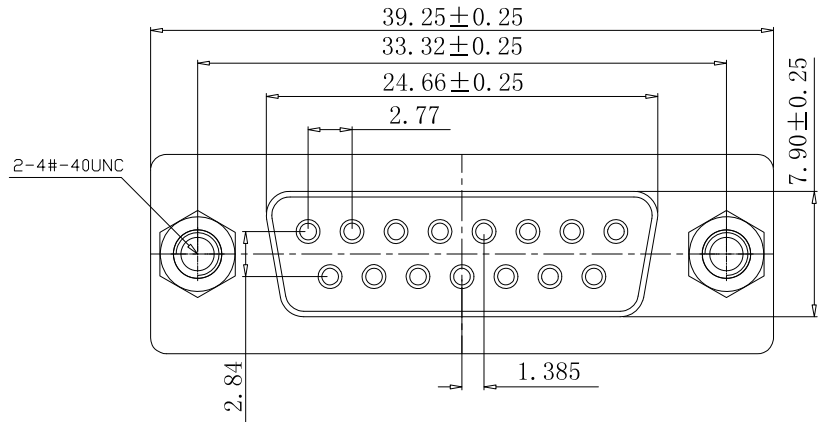


THE INFORMATION CONTAINED IN THIS DOCUMENT IS PROPRIETARY TO JEN JIA PRECISION TECHNOLOGY CO.LTD, ANY REPRODUCTION IN PART OR WHOLE WITHOUT PRIOR WRITTEN APPROVAL OR AUTHORIZATION OF JEN JIA PRECISION TECHNOLOGY CO.LTD IS STRICTLY PROHIBITED.

RoHS COMPLIANT

REVISIONS

REV	ECN NO.	DESCRIPTION	APPROVED BY	DATE
1		PROPOSAL DRAWING	Helly Luo	2014-12-15



备注:

1. 性能:

- 额定电压: 250V
- 额定电流: 3AMP
- 接触阻抗: 30mΩ MAX.
- 绝缘阻抗: 1000MΩ MIN. at 500V DC
- 耐电压: 500V Per minute
- 温度范围: -55° C~105° C

2. 材质:

- 胶芯: PBT+30% G.F(UL94V-0) 黑色
- 端子: H62铜(C2800)
- 铁壳: SPCC, 前镍后锡.

DO NOT SCALE DRAWING

DIMENSIONS:
 MM [INCH] INCH [MM] MM ONLY
 UNLESS OTHERWISE SPECIFIED, GENERAL TOLERANCE:
 DECIMALS ANGLES
 X. ±0.50 [0.020] X° ±3°
 .X ±0.38 [0.015] .X° ±1.0°
 .XX ±0.25 [0.010]

CAD GENERATED DRAWING, DO NOT MANUALLY UPDATE

THIRD ANGLE PROJECTION



JJP Jen Jia Precision Technology Co., Ltd.			
TITLE	DP 15F针插板铆实心螺母		
PART NO.	J419212-DP15FPSP1	APPROVED BY	JASON MENG
DRAWING NO.	J419212-DP15FPSP1	CHECKED BY	STEVEN LIU
MATERIAL		DRAWN BY	Helly Luo
FINISH		GENERATD DATE	2014-12-15
SCALE	SHEET	REV.	SIZE: A4
FREE	1/1	1	FILE NO.:JJP-A-05-003