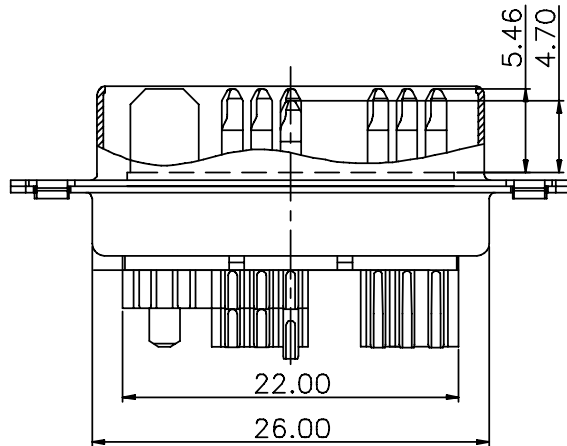
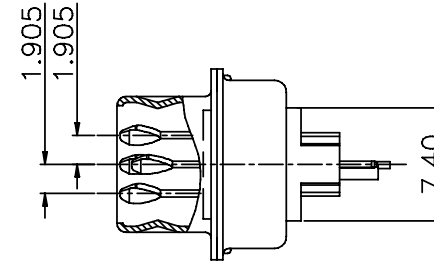
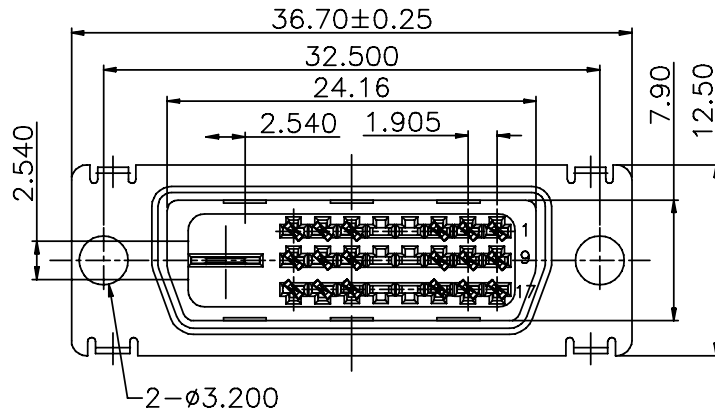


THE INFORMATION CONTAINED IN THIS DOCUMENT IS PROPRIETARY TO JEN JIA PRECISION TECHNOLOGY CO.LTD, ANY REPRODUCTION IN PART OR WHOLE WITHOUT PRIOR WRITTEN APPROVAL OR AUTHORIZATION OF JEN JIA PRECISION TECHNOLOGY CO.LTD IS STRICTLY PROHIBITED.

RoHS COMPLIANT

REVISIONS

REV	ECN NO.	DESCRIPTION	APPROVED BY	DATE
A		PROPOSAL DRAWING	JASON MENG	2006-02-04



NOTE  
 MATERIAL  
 INSULATOR: PBT +30%GF  
 CONTACTS: BRASS  
 SHELL: SPCD  
 CONTACT PLATING: GOLD PLATING OVER NICKEL  
 ELECTRICAL SPECIFICATION  
 CURRENT RATING: 1.5A;  
 VOLTAGE RATING: 40V;  
 CONTACT RESISTANCE: 30mΩ MAX.  
 INSULATION RESISTANCE:1000MΩ MIN 500V DC.  
 DIELECTRIC WITHSTANDING VOLTAGE:500V AC  
 ENVIRONMENTAL  
 OPERATING TEMPERATURE: -20°C~80°C

DO NOT SCALE DRAWING

DIMENSIONS:  
 MM [INCH]    INCH [MM]    MM ONLY  
 UNLESS OTHERWISE SPECIFIED,  
 GENERAL TOLERANCE:  
 DECIMALS                      ANGLES  
 X. ±0.38 [0.015]                X° ±3°  
 .X ±0.25 [0.010]                .X° ±1.0°  
 .XX ±0.13 [0.005]

CAD GENERATED DRAWING,  
 DO NOT MANUALLY UPDATE

THIRD ANGLE PROJECTION



**JJP** Jen Jia Precision Technology Co., Ltd.

TITLE	DVI 18+1		
PART NO.	J4229-18	APPROVED BY	JASON MENG
DRAWING NO.	J4229-18	CHECKED BY	STEVEN LIU
MATERIAL		DRAWN BY	ANNIE WANG
FINISH		GENERATD DATE	2006-02-04
SCALE	1:1	SHEET	1/1
		REV.	A
		SIZE:A4	FILE NO.:JJP-A-05-003