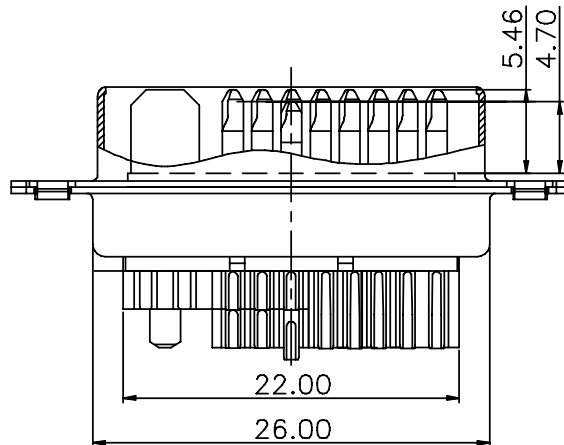
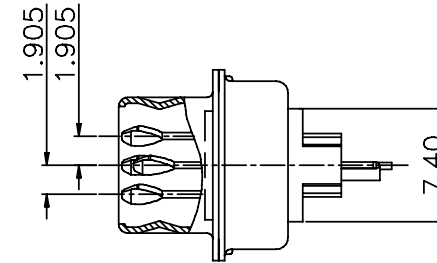
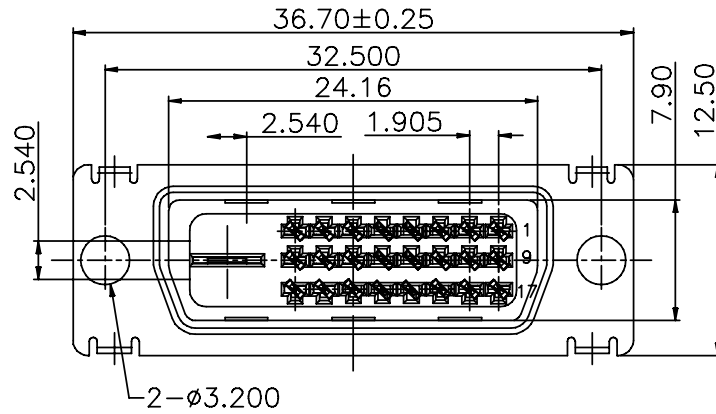


THE INFORMATION CONTAINED IN THIS DOCUMENT IS PROPRIETARY TO JEN JIA PRECISION TECHNOLOGY CO.LTD, ANY REPRODUCTION IN PART OR WHOLE WITHOUT PRIOR WRITTEN APPROVAL OR AUTHORIZATION OF JEN JIA PRECISION TECHNOLOGY CO.LTD IS STRICTLY PROHIBITED.

RoHS COMPLIANT

REVISIONS

REV	ECN NO.	DESCRIPTION	APPROVED BY	DATE
A		PROPOSAL DRAWING	JASON MENG	2006-02-04



NOTE
 MATERIAL
 INSULATOR: PBT +30%GF
 CONTACTS: BRASS
 SHELL: SPCD
 CONTACT PLATING: GOLD PLATING OVER NICKEL
 ELECTRICAL SPECIFICATION
 CURRENT RATING: 1.5A;
 VOLTAGE RATING: 40V;
 CONTACT RESISTANCE: 30mΩ MAX.
 INSULATION RESISTANCE:1000MΩ MIN 500V DC.
 DIELECTRIC WITHSTANDING VOLTAGE:500V AC
 ENVIRONMENTAL
 OPERATING TEMPERATURE: -20°C~80°C

DO NOT SCALE DRAWING

DIMENSIONS:

<input type="checkbox"/> MM [INCH]	<input type="checkbox"/> INCH [MM]	<input checked="" type="checkbox"/> MM ONLY
------------------------------------	------------------------------------	---

UNLESS OTHERWISE SPECIFIED, GENERAL TOLERANCE:

DECIMALS	ANGLES
X. ±0.38 [0.015]	X° ±3°
.X ±0.25 [0.010]	.X° ±1.0°
.XX ±0.13 [0.005]	

CAD GENERATED DRAWING, DO NOT MANUALLY UPDATE

THIRD ANGLE PROJECTION



JJP Jen Jia Precision Technology Co., Ltd.

TITLE	DVI 24+1		
PART NO.	J4229-24	APPROVED BY	JASON MENG
DRAWING NO.	J4229-24	CHECKED BY	STEVEN LIU
MATERIAL		DRAWN BY	ANNIE WANG
FINISH		GENERATD DATE	2006-02-04
SCALE	1:1	SHEET	1/1
		REV.	A
		SIZE:A4	FILE NO.:JJP-A-05-003