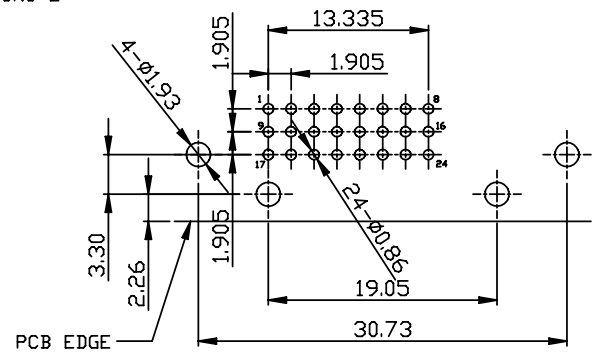
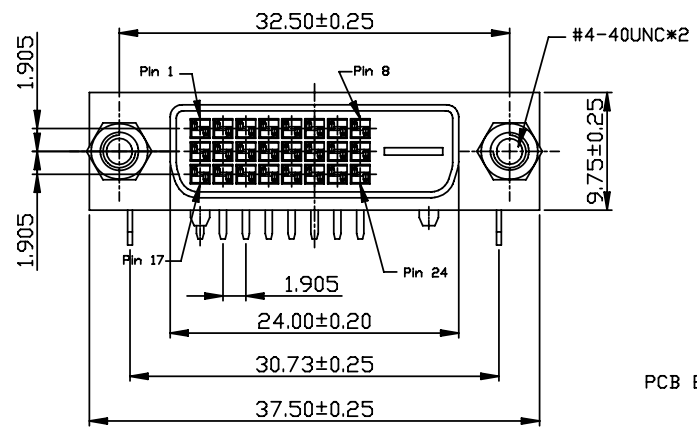


1 2 3 4 5 6 7 8

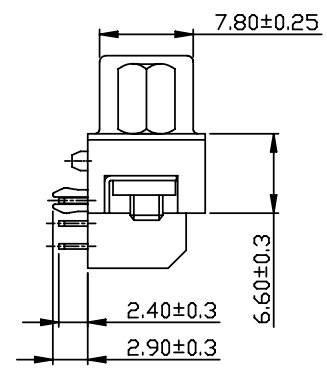
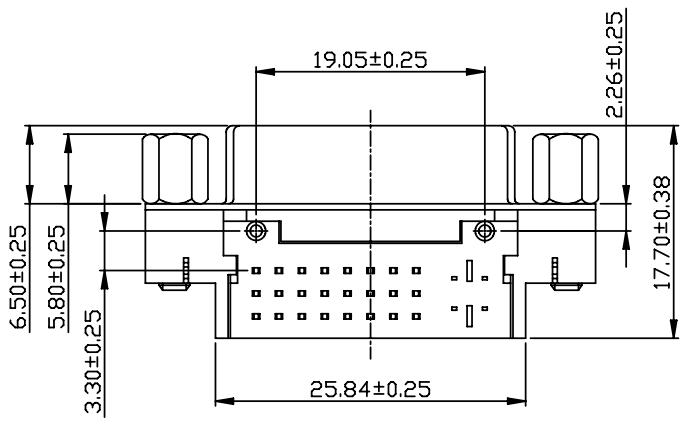
REV	DESCRIPTION	ECN NO.	DATE	DRAW	APPROV
A	NEW RELEASE		2007-03-07	Annie	Jason

ROHS COMPLIANT



RECOMMENDED PCB LAYOUT

- MATERIALS:
- Housing:PBT(UL 94V-0),White
  - Cover:PA66,White
  - Contact:Brass
  - Shell:SPCC
  - Board Lock:SPCC
  - Rivet:Copper Alloy(Lead<=40000PPM)
  - Screw:Copper Alloy(Lead<=40000PPM)
- FINISH:
- Contact:Gold Flash Plated on Contact Area  
Sn Plated on Solderails  
Nickel Under Plated Over All
  - Shell:Nickel Plated
  - Board Lock:Sn Plated Over Nickel
  - Rivet:Nickel Plated
  - Screw:Nickel Plated



<b>JJP Jen Jia Precision Co., LTD.</b>					
TITLE		DVI-D R/A G/F 24P White W/S (13mm,5.8mm) Dip RoHS(Hi:2.26mm)			
PART NO.	J4229-DFD-RWA01	APPRD	Mark		
DRAW NO.	J4229-DFD-RWA01	CHKD	Steve		
THIRD ANGLE PROJECTION 		DRAW	Annie		
		DATE	2007-03-07		
SCALE	1:1	SHEET	1/1	REV	A
		UNIN	MM		

GENERAL TOLERANCES (UNLESS SPECIFIED)			
	MM		INCH
0~5	±0.15	0~5	±----
5~10	±0.20	5~10	±----
10~20	±0.25	10~20	±----
20~	±0.30	20~	±----
ANGULAR ±1°			

A  
B  
C  
D  
E

1 2 3 4 5 6 7 8