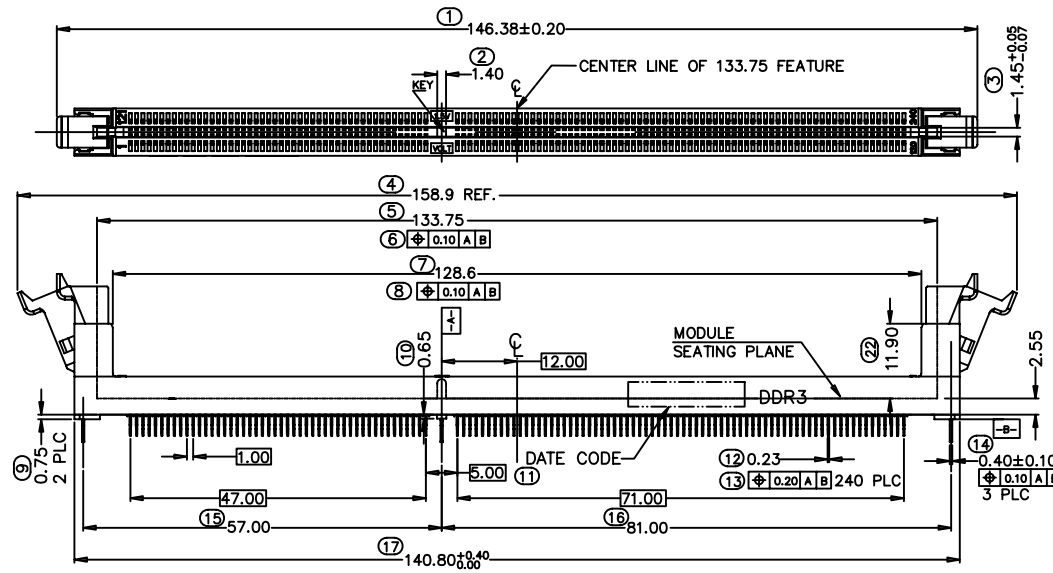


THE INFORMATION CONTAINED IN THIS DOCUMENT IS PROPRIETARY TO JEN JIA PRECISION TECHNOLOGY CO.LTD, ANY REPRODUCTION IN PART OR WHOLE WITHOUT PRIOR WRITTEN APPROVAL OR AUTHORIZATION OF JEN JIA PRECISION TECHNOLOGY CO.LTD IS STRICTLY PROHIBITED.

RoHS COMPLIANT

REVISIONS

REV	ECN NO.	DESCRIPTION	APPROVED BY	DATE
1		PROPOSAL DRAWING	JASON MENG	2013-08-15

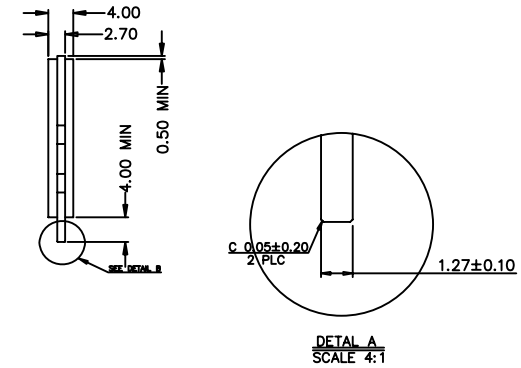
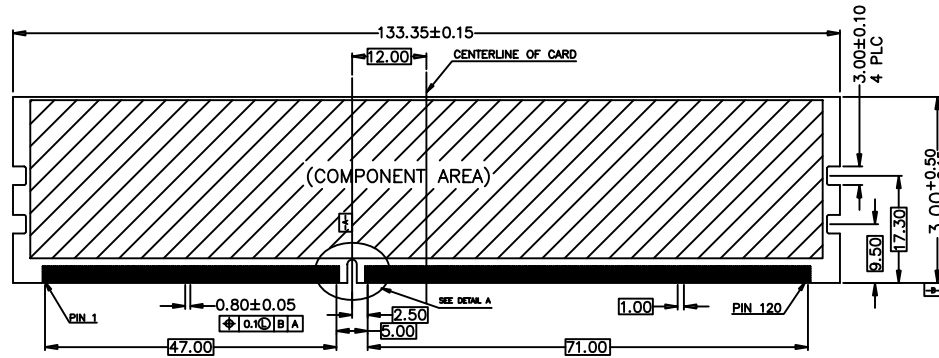


THE INFORMATION CONTAINED IN THIS DOCUMENT IS PROPRIETARY TO JEN JIA PRECISION TECHNOLOGY CO.,LTD. ANY REPRODUCTION IN PART OR WHOLE WITHOUT PRIOR WRITTEN APPROVAL OR AUTHORIZATION OF JEN JIA PRECISION TECHNOLOGY CO.,LTD IS STRICTLY PROHIBITED.

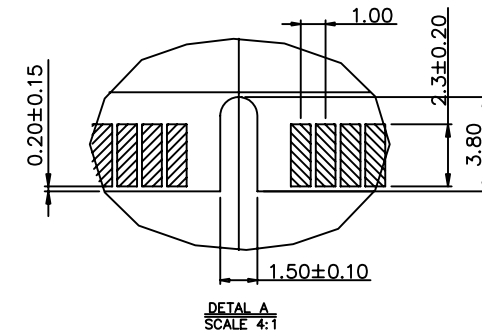
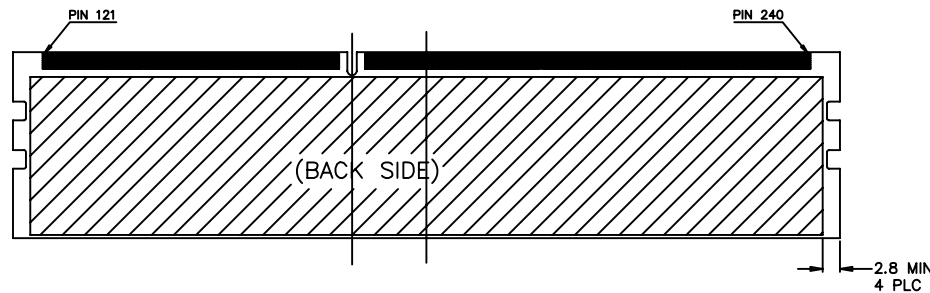
RoHS COMPLIANT

REVISIONS

REV	ECN NO.	DESCRIPTION	APPROVED BY	DATE
1		PROPOSAL DRAWING	JASON MENG	2013-08-15



RECOMMENDED MODULE LAYOUT FRONT SIDE
MODULE LAYOUT REFER TO JEDEC MO-269



DO NOT SCALE DRAWING

DIMENSIONS:

MM [INCH] INCH [MM] MM ONLY

UNLESS OTHERWISE SPECIFIED, GENERAL TOLERANCE:

DECIMALS	ANGLES
X. ±0.38 [0.015]	X° ±2°
.X ±0.25 [0.010]	.X° ±1.0°
.XX ±0.20 [0.008]	

CAD GENERATED DRAWING, DO NOT MANUALLY UPDATE

THIRD ANGLE PROJECTION

JJP Jen Jia Precision Technology Co., Ltd.

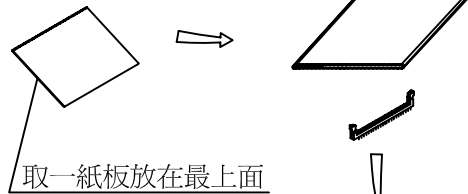
TITLE	DDRIII SO DIMM 240PIN		
PART NO.	J4319-240XXXXYT40	APPROVED BY	JASON MENG
DRAWING NO.	J4319-240XXXXYT40	CHECKED BY	STEVEN LIU
MATERIAL		DRAWN BY	Darren Xia
FINISH		GENERATED DATE	2013-08-15
SCALE	SHEET	REV.	SIZE: A4
FREE	2/3	1	FILE NO.:JJP-A-05-003

THE INFORMATION CONTAINED IN THIS DOCUMENT IS PROPRIETARY TO JEN JIA PRECISION TECHNOLOGY CO.,LTD. ANY REPRODUCTION IN PART OR WHOLE WITHOUT PRIOR WRITTEN APPROVAL OR AUTHORIZATION OF JEN JIA PRECISION TECHNOLOGY CO.,LTD IS STRICTLY PROHIBITED.

RoHS COMPLIANT

REVISIONS

REV	ECN NO.	DESCRIPTION	APPROVED BY	DATE
1		PROPOSAL DRAWING	JASON MENG	2013-08-15



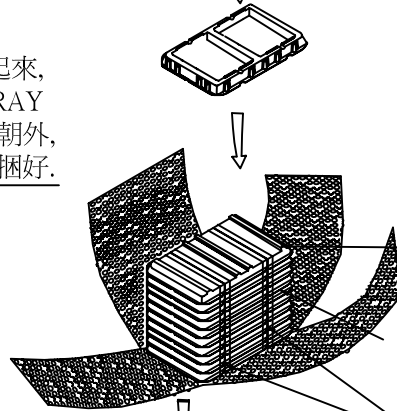
取一紙板放在最上面

每箱用兩PCS氣泡片
把纏好的TRAY盤包起來,
寬的氣泡片在下面,TRAY
包好後有氣泡那一面朝外,
最後用包裝繩打活結捆好.

7.11KG	4.0KG	50	10	500
GROSS WEIGHT	NET WEIGHT	PCS/TRAY	TRAY/BOX	PCS/BOX

TABLE:

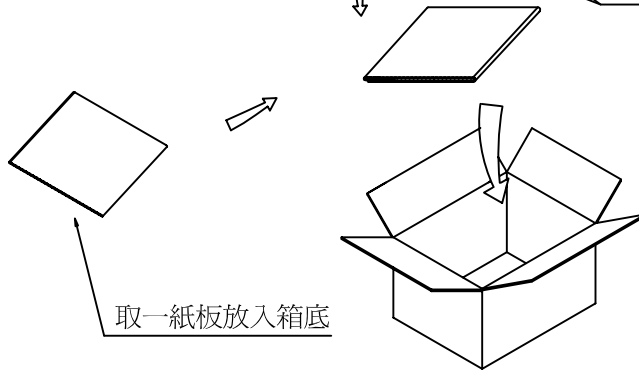
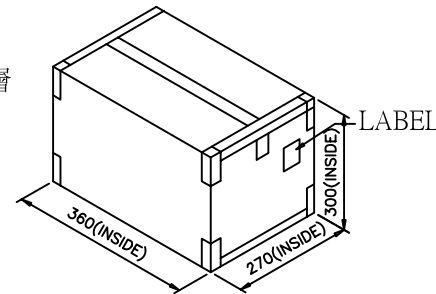
J4319-2401121YT	2.30	G/F	PA66 BLACK UL94-V2	PA66 WHITE UL94-V2
J4319-2401321YT	2.30	G/F	PA66 RED UL94-V2	PA66 WHITE UL94-V2
J4319-2401221YT	2.30	G/F	PA66 YELLOW UL94-V2	PA66 WHITE UL94-V2
J4319-2401421YT	2.30	G/F	PA66 BLUE UL94-V2	PA66 WHITE UL94-V2
J4319-2401521YT	2.30	G/F	PA66 BRIGHT RED UL94-V2	PA66 WHITE UL94-V2
PART NO.	DIM.L	GOLD	HOUSING	EAR



每箱僅上面用一個真空蓋

每箱放10盤成品

用保鮮膜把TRAY盤各纏四層



取一紙板放入箱底

DO NOT SCALE DRAWING

DIMENSIONS:
 MM [INCH] INCH [MM] MM ONLY
 UNLESS OTHERWISE SPECIFIED,
 GENERAL TOLERANCE:
 DECIMALS ANGLES
 X. ±0.38 [0.015] X° ±2°
 .X ±0.25 [0.010] .X° ±1.0°
 .XX ±0.20 [0.008]

JJP Jen Jia Precision Technology Co., Ltd.

TITLE		DDRIII SO DIMM 240PIN	
PART NO.	J4319-240XXXXYT40	APPROVED BY	JASON MENG
DRAWING NO.	J4319-240XXXXYT40	CHECKED BY	STEVEN LIU
MATERIAL		DRAWN BY	Darren Xia
FINISH		GENERATD DATE	2013-08-15
SCALE	FREE	SHEET	3/3
REV.	1	SIZE:	A4
		FILE NO.:	JJP-A-05-003

