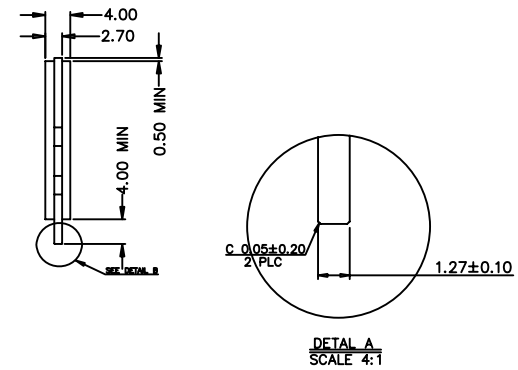
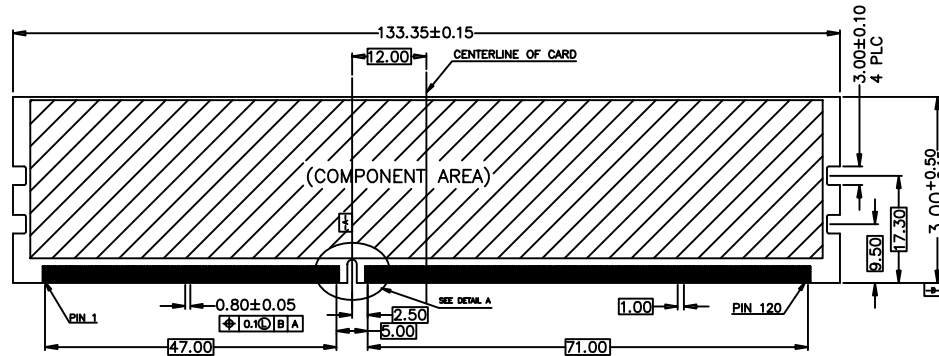


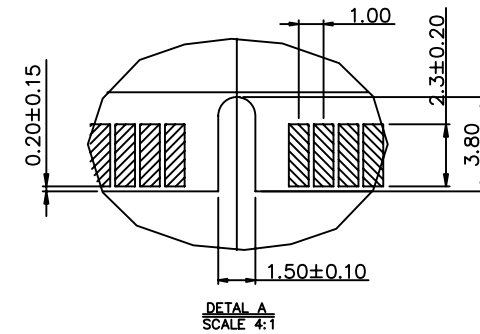
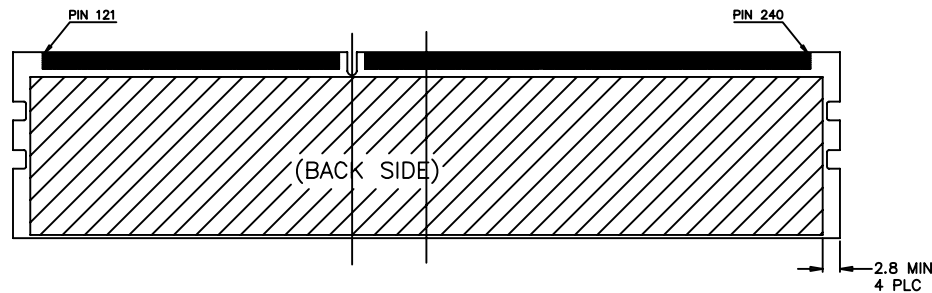
THE INFORMATION CONTAINED IN THIS DOCUMENT IS PROPRIETARY TO JEN JIA PRECISION TECHNOLOGY CO.,LTD. ANY REPRODUCTION IN PART OR WHOLE WITHOUT PRIOR WRITTEN APPROVAL OR AUTHORIZATION OF JEN JIA PRECISION TECHNOLOGY CO.,LTD IS STRICTLY PROHIBITED.

Halogen Free

REVISIONS				
REV	ECN NO.	DESCRIPTION	APPROVED BY	DATE
1		PROPOSAL DRAWING	JASON MENG	2013-08-15



RECOMMENDED MODULE LAYOUT FRONT SIDE
MODULE LAYOUT REFER TO JEDEC MO-269



DO NOT SCALE DRAWING

DIMENSIONS:
 MM [INCH] INCH [MM] MM ONLY
 UNLESS OTHERWISE SPECIFIED,
 GENERAL TOLERANCE:
 DECIMALS ANGLES
 X. ±0.38 [0.015] X° ±2°
 .X ±0.25 [0.010] .X° ±1.0°
 .XX ±0.20 [0.008]

CAD GENERATED DRAWING,
DO NOT MANUALLY UPDATE

THIRD ANGLE PROJECTION



JJP Jen Jia Precision Technology Co., Ltd.

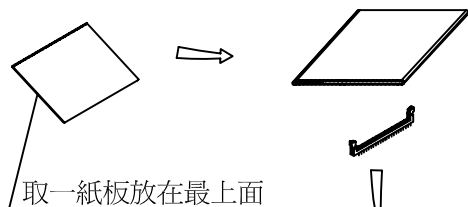
TITLE		DDRIII SO DIMM 240PIN	
PART NO.	J4319-240XXXXYTHF40	APPROVED BY	JASON MENG
DRAWING NO.	J4319-240XXXXYTHF40	CHECKED BY	STEVEN LIU
MATERIAL		DRAWN BY	Darren Xia
FINISH		GENERATED DATE	2013-08-15
SCALE	FREE	SHEET	2/3
REV.	1	SIZE:	A4
		FILE NO.:	JJP-A-05-003

THE INFORMATION CONTAINED IN THIS DOCUMENT IS PROPRIETARY TO JEN JIA PRECISION TECHNOLOGY CO.LTD. ANY REPRODUCTION IN PART OR WHOLE WITHOUT PRIOR WRITTEN APPROVAL OR AUTHORIZATION OF JEN JIA PRECISION TECHNOLOGY CO.LTD IS STRICTLY PROHIBITED.

Halogen Free

REVISIONS

REV	ECN NO.	DESCRIPTION	APPROVED BY	DATE
1		PROPOSAL DRAWING	JASON MENG	2013-08-15

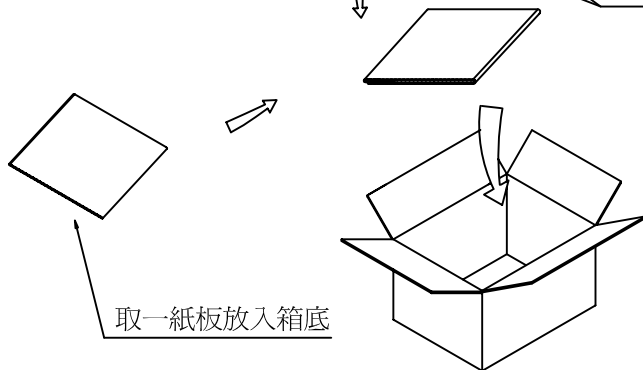
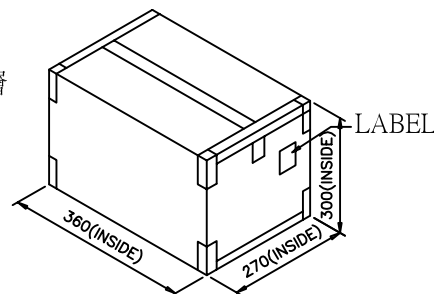
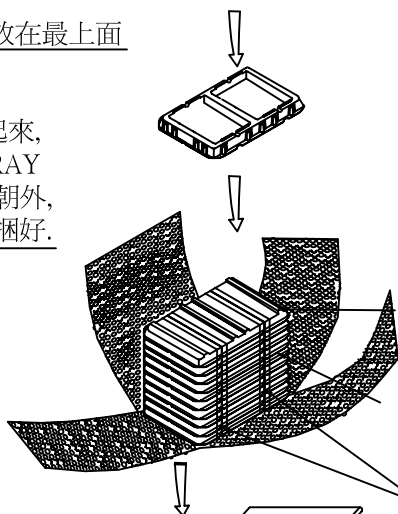


GROSS WEIGHT	NET WEIGHT	PCS/TRAY	TRAY/BOX	PCS/BOX
7.11KG	4.0KG	50	10	500

TABLE:

PART NO.	DIM.L	GOLD	HOUSING	EAR
J4319-2402123YTHF	2.70	15u"	PA66 BLACK UL94-V0	PA66 WHITE UL94-V0
J4319-2401125YTHF	2.30	Au 3u" Pd-Ni 12u"	PA66 BLACK UL94-V0	PA66 WHITE UL94-V0

每箱用兩PCS氣泡片
把纏好的TRAY盤包起來,
寬的氣泡片在下面,TRAY
包好後有氣泡那一面朝外,
最後用包裝繩打活結捆好.



DO NOT SCALE DRAWING

DIMENSIONS:
 MM [INCH] INCH [MM] MM ONLY
 UNLESS OTHERWISE SPECIFIED,
 GENERAL TOLERANCE:
 DECIMALS ANGLES
 X. ±0.38 [0.015] X° ±2°
 .X ±0.25 [0.010] .X° ±1.0°
 .XX ±0.20 [0.008]

JJP Jen Jia Precision Technology Co., Ltd.

TITLE		DDRIII SO DIMM 240PIN	
PART NO.	J4319-240XXXXYTHF40	APPROVED BY	JASON MENG
DRAWING NO.	J4319-240XXXXYTHF40	CHECKED BY	STEVEN LIU
MATERIAL		DRAWN BY	Darren Xia
FINISH		GENERATD DATE	2013-08-15
SCALE	FREE	SHEET	3/3
REV.	1	SIZE:	A4
		FILE NO.:	JJP-A-05-003

