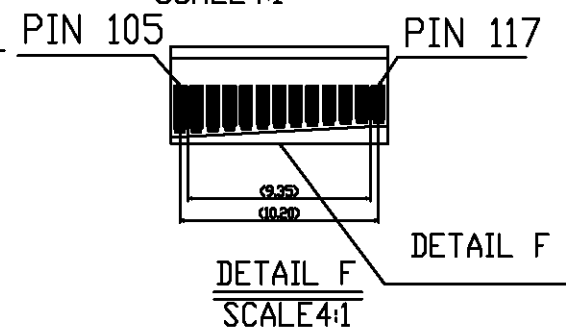
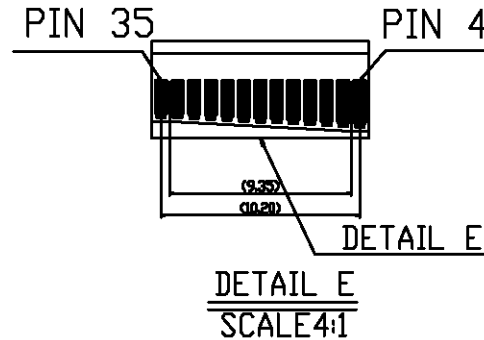
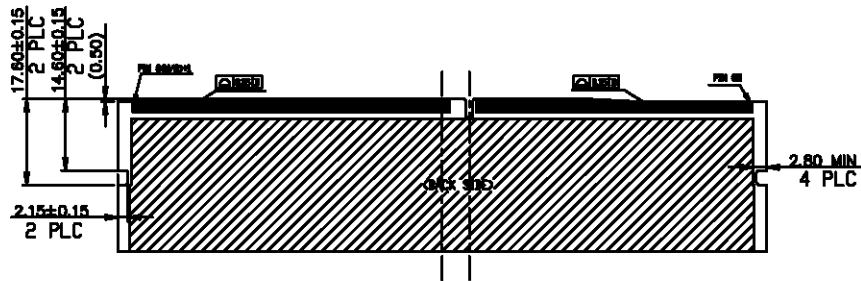
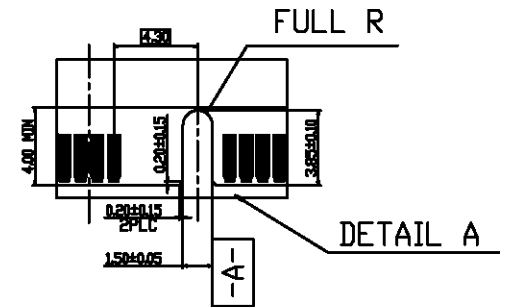
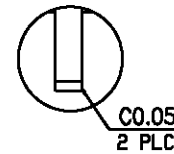
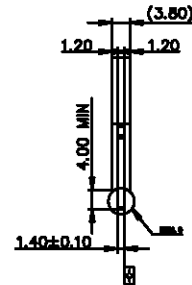
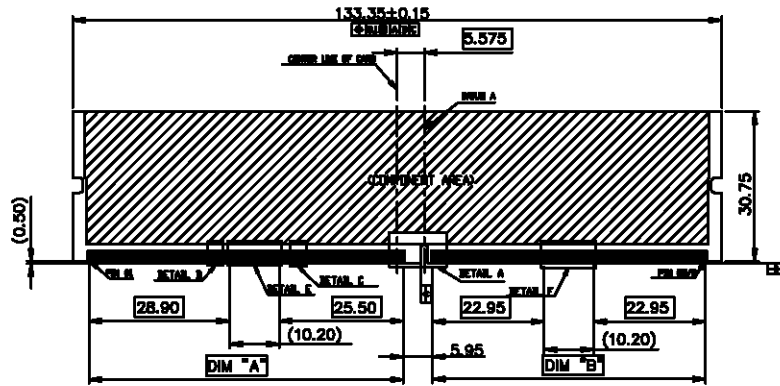


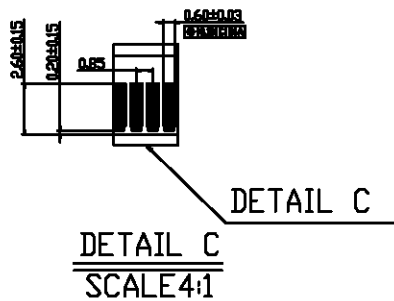
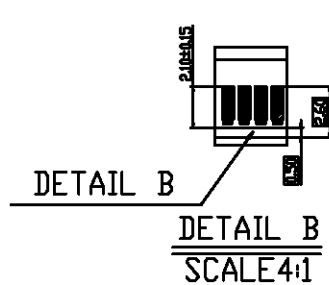
THE INFORMATION CONTAINED IN THIS DOCUMENT IS PROPRIETARY TO JEN JIA PRECISION TECHNOLOGY CO.LTD, ANY REPRODUCTION IN PART OR WHOLE WITHOUT PRIOR WRITTEN APPROVAL OR AUTHORIZATION OF JEN JIA PRECISION TECHNOLOGY CO.LTD IS STRICTLY PROHIBITED.

RoHS COMPLIANT

REVISIONS				
REV	ECN NO.	DESCRIPTION	APPROVED BY	DATE
1		PROPOSAL DRAWING	JASON MENG	2013-09-27



	PIN NUMBER N=288	PIN NUMBER N=284
DIM "A"	64.60	63.75
DIM "B"	56.10	55.25



DO NOT SCALE DRAWING

DIMENSIONS:
 MM (INCH) INCH (MM) MM ONLY

UNLESS OTHERWISE SPECIFIED,
 GENERAL TOLERANCE:

DECIMALS	ANGLES
X. ±0.38 (0.015)	X° ±3°
.X ±0.25 (0.010)	.X° ±1.0°
.XX ±0.20 (0.008)	

CAD GENERATED DRAWING,
 DO NOT MANUALLY UPDATE

THIRD ANGLE PROJECTION

JJP Jen Jia Precision Technology Co., Ltd.

TITLE			
DDR4 288&284PIN CONN.			
PART NO.	J4340-XXXXXXX1TX02	APPROVED BY	JASON MENG
DRAWING NO.	J4340-XXXXXXX1TX02	CHECKED BY	STEVEN LIU
MATERIAL		DRAWN BY	Darren Xia
FINISH		GENERATD DATE	2013-09-27
SCALE	SHEET	REV.	SIZE: A4
FREE	2/4	1	FILE NO.: JJP-A-05-003

1 2 3 4 5 6 7 8

THE INFORMATION CONTAINED IN THIS DOCUMENT IS PROPRIETARY TO JEN JIA PRECISION TECHNOLOGY CO.,LTD. ANY REPRODUCTION IN PART OR WHOLE WITHOUT PRIOR WRITTEN APPROVAL OR AUTHORIZATION OF JEN JIA PRECISION TECHNOLOGY CO.,LTD IS STRICTLY PROHIBITED.

RoHS COMPLIANT

REVISIONS				
REV	ECN NO.	DESCRIPTION	APPROVED BY	DATE
1		PROPOSAL DRAWING	JASON MENG	2013-09-27

TABLE:

J4340-28802221THF02	2.10	2.97	15u"	NYLON WHITE	NYLON WHITE
J4340-288011121THF02	2.10	2.97	15u"	NYLON BLACK	NYLON BLACK
J4340-28803221THF02	2.10	2.97	15u"	NYLON BLUE	NYLON WHITE
J4340-28811121THF02	2.40	3.57	15u"	NYLON BLACK	NYLON BLACK
J4340-28813221THF02	2.40	3.57	15u"	NYLON BLUE	NYLON WHITE
J4340-28821121THF02	2.70	3.57	15u"	NYLON BLACK	NYLON BLACK
J4340-28823221THF02	2.70	3.57	G/F	NYLON BLUE	NYLON WHITE
J4340-28821241THF02	2.70	3.57	20u"	NYLON BLACK	NYLON WHITE
J4340-28821141THF02	2.70	3.57	20u"	NYLON BLACK	NYLON BLACK
J4340-28821111THF02	2.70	3.57	G/F	NYLON BLACK	NYLON BLACK
P/N N=288	DIM.L	DIM.H	GOLD	HOUSING	EAR

DO NOT SCALE DRAWING

DIMENSIONS:
 MM (INCH) INCH (MM) MM ONLY
 UNLESS OTHERWISE SPECIFIED,
 GENERAL TOLERANCE:
 DECIMALS ANGLES
 .X ±0.38 (0.015) X° ±3°
 .X ±0.25 (0.010) .X° ±1.0°
 .XX ±0.20 (0.008)

CAD GENERATED DRAWING,
 DO NOT MANUALLY UPDATE

THIRD ANGLE PROJECTION



JJP Jen Jia Precision Technology Co., Ltd.

TITLE	DDR4 288&284PIN CONN.		
PART NO.	J4340-10000001T0002	APPROVED BY	JASON MENG
DRAWING NO.	J4340-10000001T0002	CHECKED BY	STEVEN LIU
MATERIAL		DRAWN BY	Darren Xia
FINISH		GENERATD DATE	2013-09-27
SCALE	SHEET	REV.	SIZE: A4
FREE	3/4	1	FILE NO.: JJP-A-05-003

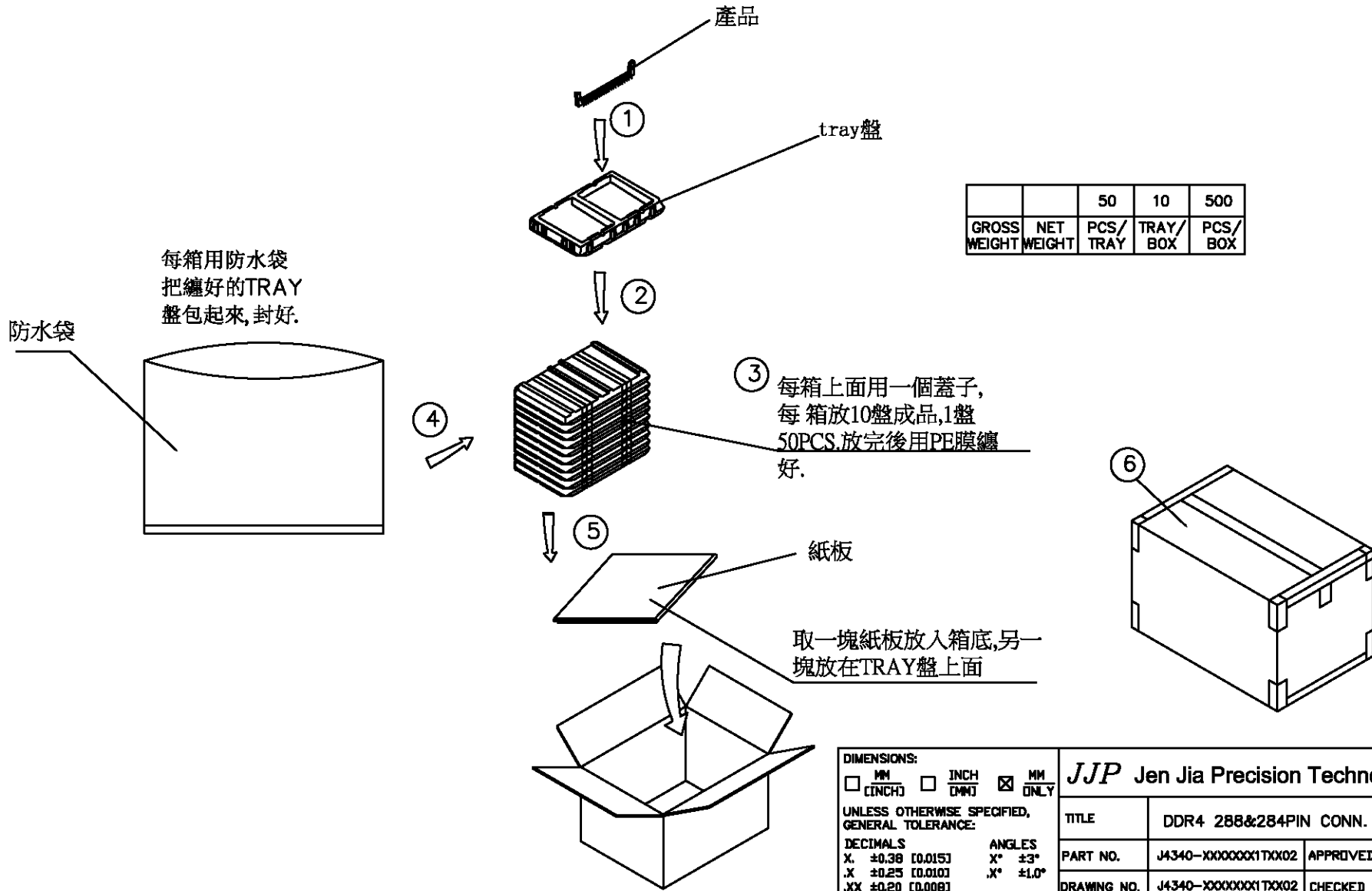
THE INFORMATION CONTAINED IN THIS DOCUMENT IS PROPRIETARY TO JEN JIA PRECISION TECHNOLOGY CO.LTD, ANY REPRODUCTION IN PART OR WHOLE WITHOUT PRIOR WRITTEN APPROVAL OR AUTHORIZATION OF JEN JIA PRECISION TECHNOLOGY CO.LTD IS STRICTLY PROHIBITED.

RoHS COMPLIANT

REVISIONS

REV	ECN NO.	DESCRIPTION	APPROVED BY	DATE
1		PROPOSAL DRAWING	JASON MENG	2013-09-27

		50	10	500
GROSS WEIGHT	NET WEIGHT	PCS/TRAY	TRAY/BOX	PCS/BOX



DO NOT SCALE DRAWING

DIMENSIONS:
 MM (INCH)
 INCH (MM)
 MM ONLY

UNLESS OTHERWISE SPECIFIED, GENERAL TOLERANCE:

DECIMALS	ANGLES
X. ±0.38 [0.015]	X° ±3°
.X ±0.25 [0.010]	.X° ±1.0°
.XX ±0.20 [0.008]	

CAD GENERATED DRAWING, DO NOT MANUALLY UPDATE

THIRD ANGLE PROJECTION



JJP Jen Jia Precision Technology Co., Ltd.

TITLE: DDR4 288&284PIN CONN. PACKING DRAWING

PART NO.	J4340-XXXXXX1TXX02	APPROVED BY	JASON MENG
----------	--------------------	-------------	------------

DRAWING NO.	J4340-XXXXXX1TXX02	CHECKED BY	STEVEN LIU
-------------	--------------------	------------	------------

MATERIAL		DRAWN BY	Darren Xia
----------	--	----------	------------

FINISH		GENERATD DATE	2013-09-27
--------	--	---------------	------------

SCALE	SHEET	REV.	SIZE: A4
FREE	4/4	1	FILE NO.: JJP-A-05-003