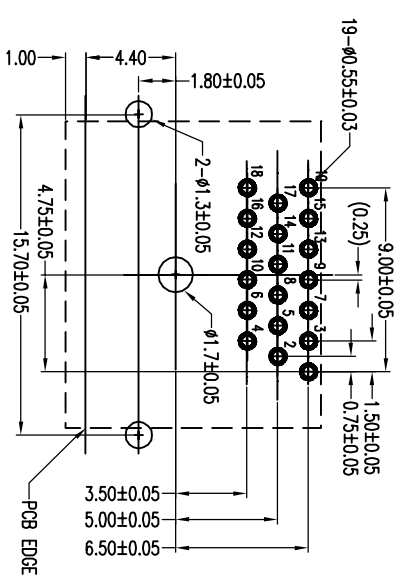
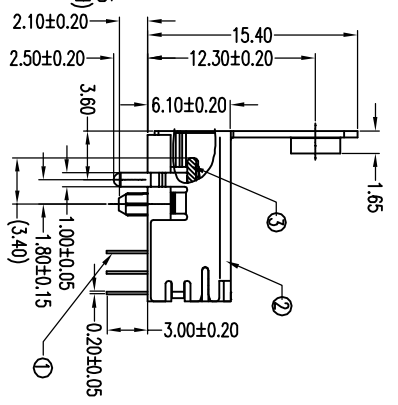
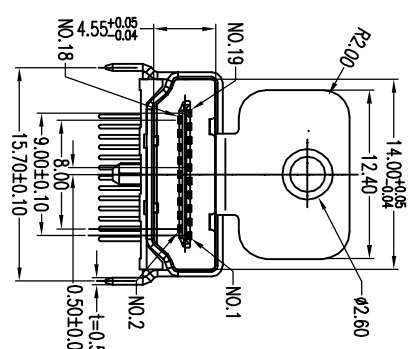
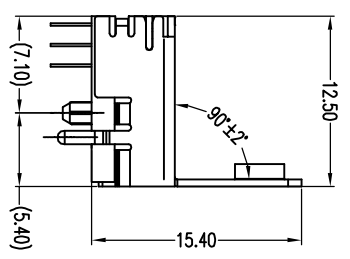


NOTE:
J84139-A40-PB119*0

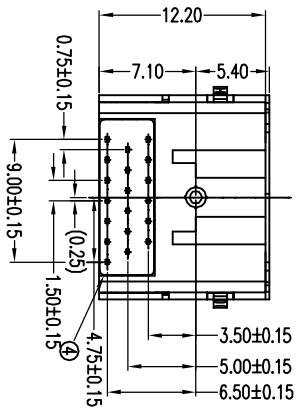
- 1. Contact Plating
- G: Au:G/F
- B: Au:3u
- C: Au:5u
- D: Au:15u
- E: Au:20u
- F: Au:30u



RECOMMENDED PCB LAYOUT
SCALE 3:1



SECTION A-A



ITEM	DESC.	MATERIAL	REMARKS
1	COVER	HIGH TEMPERATURE THERMOPLASTICS	30%G.F. UI94V-0 COLOR:BLACK
2	HOUSING	HIGH TEMPERATURE THERMOPLASTICS	30%G.F. UI94V-0 COLOR:BLACK
3	SHELL	COPPER ALLOY(τ=0.50)	OVER-PLATING: Ni 1um
4	TERMINAL	COPPER ALLOY(τ=0.20)	CONTACT AREA: Cold Flash SOLDER AREA: G/F UNDER-PLATING: Ni 1.25um LIQUID SEALING

JJP Jen Jia Precision Co., LTD.

INTENDED USE		TITLE	
CUSTOMER	HDMI-A/F/DIP 3 ROW/FLANGE-#K	PART NO.	J84139-A40-PB119*0
TOLERANCES		APPRD	MARK
		CHKD	Steve
		DRAW	Tina
		DATE	2008-04-23
		REV	
		SHEET	1/1
		UNIN	mm

DIM. ±0.30
ANGLE: ±3°