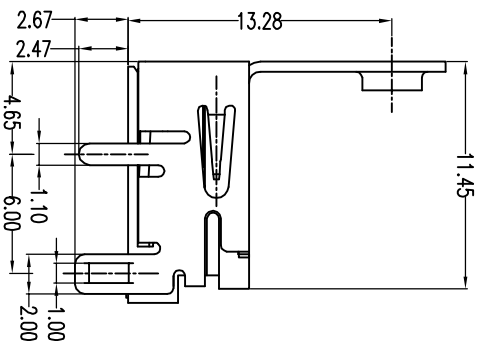


NOTE:

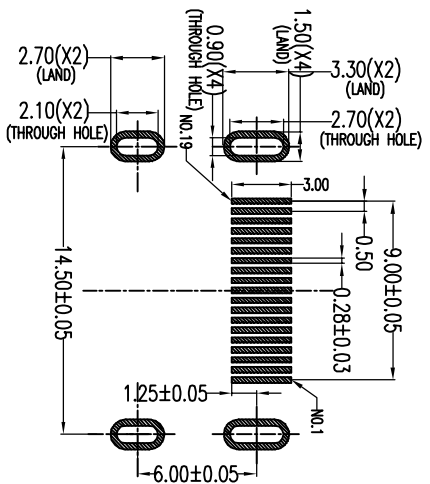
J84139-A24-PBX19\*0\*



Packing  
T: Tray  
R: tape on Reel

Contact Area Plating

G:Au:G/F  
B:Au:3u  
C:Au:5u  
D:Au:15u  
E:Au:20u  
F:Au:30u



RECOMMENDED P.C.B. LAYOUT

3	Terminal	Copper Alloy T=0.25mm	Contact Area: See Note Solder-tail Area: Sn 100u" Under-Plating: Ni 50u"
2	Shell	Copper Alloy T=0.50mm	Over-Plating: Ni 100u"
1	Housing	HIGH TEMPERATURE THERMOPLASTICS	Color:Black
ITEM	DESC	MATERIAL	REMARKS

**JJP** Jen Jia Precision Co., LTD.

INTENDED USE	CUSTOMER	TOLERANCES	DIM. ±0.30 ANGLE: 3°
TITLE	HDMI A/F/SMT/TYPE II/FLANGE7.2 插板	PART NO.	J84139-A24-PBX19*0*
DRAW N.D.	J84139-A24-PBX19*0*	APPRO	Mark
MATERIAL	SEE NOTE	CHKD	Steve
FINISH	SEE NOTE	DRAW	Tina
SCALE	3:1	DATE	08-02-18
SHEET	1/1	REV	A
UNIN	mm		